

ENTRY SOLUTIONS CATALOG

LIBERVIT
ENTRY TOOLS MANUFACTURER



LIBE

DOPE

RVIT

NT

LIBERVIT
BLACKline

for Police & Gendarmerie
special forces

LIBERVIT
DÉFENSE

for military forces

From a general point of view, even the highest performance equipment will not by itself solution all the situations.

It does not completely cancel the risk encountered by the special units' users on an operation.

As a manufacturer we OWE to ourselves and to the users to give priority to quality, reliability, performance and innovations.

We will never be confronted to front line situations but you on the other hand are facing them daily in France or elsewhere around the world and sometime while using one of our tools.

It is at this very moment that our choice of components, raw material to manufacture the tools that you are using, at this very moment when you are about to give the "GO ahead" that the equipment must prove itself failproof!

Internationally, France benefits from a strong reputation in the fields of security at the operational knowhow level as much as in the equipment manufacturing.

At LIBERVIT, we are experienced technicians, our professional ethic is unwavering and above all we know and respect those using our products and because of this close relationship we have considered their insights and suggestions in the making of our tools.

We pride ourselves in manufacturing French. All the labelled equipment that you had, have or will have in your hands, are made in France with more than 90% of components and raw materials of French origin or from close European Union countries such as Germany, Norway and Italy.

Our 25 years in the design and manufacturing of hydraulic and mechanical tools with land and water applications for the army and police special forces, our seriousness, our professionalism, and our never ended search for innovations has made us a key player within these professional environments.

LIBERVIT is represented in over 60 countries through our specialized Distributors network offering commercial advice, demos, maintenance and after sale service.

All of the LIBERVIT team and myself are available to ensure that none of your question remains unanswered.

We wish you a pleasant read.



Yvan CARDONA, CEO



GALLERY



gallery-libervit.com

Share

GALLERY is a sharing platform themed around the Firefighters, Police and Gendarmerie Special Forces and Armed Forces' intervention units.

View & Contact

With GALLERY you will view anonymously and freely any amount of carefully pre-selected videos and pictures and be able to contact its owner.

Exhibit

Once registered, if you wish you will be able to exhibit your own pictures in GALLERY.

Your pictures deserve all our undivided attention.
We are offering to publish, share and bring them to the fore.

Professional or amateur photographers.

Take your pictures, create your personal space and display your work freely on GALLERY.

Sharing your pictures will give you the opportunity to be in direct contact with interested visitors.

Contact

The visitor will be able to reach you after identifying you through your pictures as these will be linked to the details you will have entered when registering: Pseudo, email address, Facebook profile, etc.







We would like to thank you for the trust you keep showing us every day. LIBERVIT has been and still is extremely proud of manufacturing high quality entry tools and to dedicate its resources to design, developing and sharing experiences with end-users. It honours us to display your insignia, a proof of our long lasting relationship, and it would honour us if you would consider sending us yours to appear in our next edition.

Communication service : communication@libervit.com

Quality & Reliability

LIBERVIT will provide, for a minimum of 10 years after delivery, any of its tools' spare parts.
All our equipments comply with CE standard.

Unless otherwise specified by us, our equipments are guaranteed for 3 years from the dispatch date. The guarantee covers construction defects as well as material flaws noted by our services.

Our organization, from engineering to customers' service is ISO 9001 certified. It guarantees a high quality, life-long performance and complete reliability of our tools and equipment.

All our tools undergo rigorous test & control before shipment.



INDEX



16 - 55

IMPACT7 battering ram	18
IMPACT14 battering ram	20
IMPACT7/KIT - IMPACT14/KIT tactical battering ram kits	22
MR14 battering ram	24
battering ram accessoires	26
MR20 battering ram	28
MR30 battering ram	30
BS3 - BS5 sledge hammers	34
CBT10 - CBT12 bolt cutters	36
BAG axe	38
TWB15 window breacher	40
SINGLE HEAD / ACTION2 / NPB levers	42
V90 lever	44
hands' protection	48
ENTRY KITS - transport bags	50
entry kits selection	54



58 - 109

hydraulic door openers & entry tools unit's selection

lightweight hydraulic door opener	
- OP55 hydraulic door opener	60
- OP71 hydraulic door opener	64
middle range hydraulic door opener	
- HR7 hydraulic door opener	68
HR7 different positions' dimensions	72
accessoires - transport	74
high performance hydraulic door opener	
- VE70-L hydraulic door opener (DOOR-RAIDER light)	78
- VE70-L high performance hydraulic jack - technical characteristics	80
- VE70-L/KIT high performance door opener set & accessories - technical characteristics	82
accessoires - transport	84

anti-panic doors' hydraulic door opener	
- EX50 anti-panic doors' hydraulic door opener	88
technical characteristics & accessories	90
laser & tape measures	94
entry hydraulic units	96
DP55 hydraulic units' selection	98
DP71 hydraulic units' selection	100
HR7 hydraulic units' selection	104
VE70-L hydraulic units' selection	106
EX50 hydraulic units' selection	108



110 - 147

hydraulic power units & manual pumps

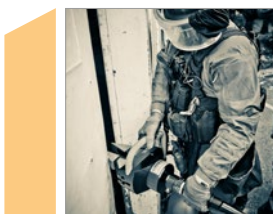
B.A.S. superlight - hydraulic power unit	112
BI-ION 48 battery's ballistic tests report	118
LIBERVIT Connected application	120
interactive radio remote wristband	124
B.A.S. superlight's accessories	126
GHP - hydraulic power unit	128
POWERCASE - hydraulic power unit	132
BLFP battery's ballistic tests report	136
KIT ENERGY LITHIUM	140
PML10 & PML30 - hydraulic manual pumps	142
hydraulic hoses	146



148 - 163

spreaders - cutters

hydraulic cutters	150
hydraulic spreaders	156
combined hydraulic manual tool	162



168 - 173

heavy duty work units

LB30 heavy duty work unit	170
LB35 heavy duty work unit	170
LB40 heavy duty work unit	170



174 - 183

hydraulic jacks & lifting bags

VT500.ID/5 telescopic hydraulic jack	176
VT380.ID/5 telescopic hydraulic jack	178
lifting bags	182



184 - 191

tactical training doors

tactical training door	186
wall's tactical training door	188



192 - 203

exothermic cutting units

THERMIC POWER exothermic cutting unit	194
Tec Torch® manual cutting thermic torch	200
Anaf ABC 6 extinguisher	202



204 - 211

explosive entry

QUICK CHARGE II	206
FLEX CHARGE 60 - 100 - 160 - 200	208
POWERHOLE IV	210



214 - 221

ballistic shields

BBS115 ballistic shield	216
MMI ballistic shield	218
BBF1 flexible ballistic shield with self support	220



224 - 225

radiation detectors

D146 & D493 detectors	284
-----------------------	-----



227 - 239

maintenance tools

GC/120 floor blanket	227
MAN10 air gun	228
COMP/88 compressor	230
MAN HYD pressure gauge control	232
ODM maintenance tools	234



236 - 239

LIBERVIT tools' maintenance training

LIBERVIT tools' maintenance training	236
--------------------------------------	-----

MANUAL ENTRY TOOLS

For cold breaching: battering-rams, sledgehammers, bolt-cutters, axes, window breachers and telescopic levers.





battering rams



sledgehammers



pry bars



bolt-cutters



window-breachers



cold breaching kits

IMPACT7 BATTERING RAM

can be used to open doors and/or windows by one single operator.



IMPACT7



The IMPACT7 battering ram is used to break open doors or windows. Equipped with two solid handles the IMPACT7 offers precision and power. The front handle has a hand protection guard. The LIBERVIT battering ram range is a standard within our entry tools.

A tactical backpack EBP-A has been designed to transport on your back a IMPACT7 battering ram, a sledgehammer, and a bolt cutter (Entry kits chapter).



grip handle



protection guard



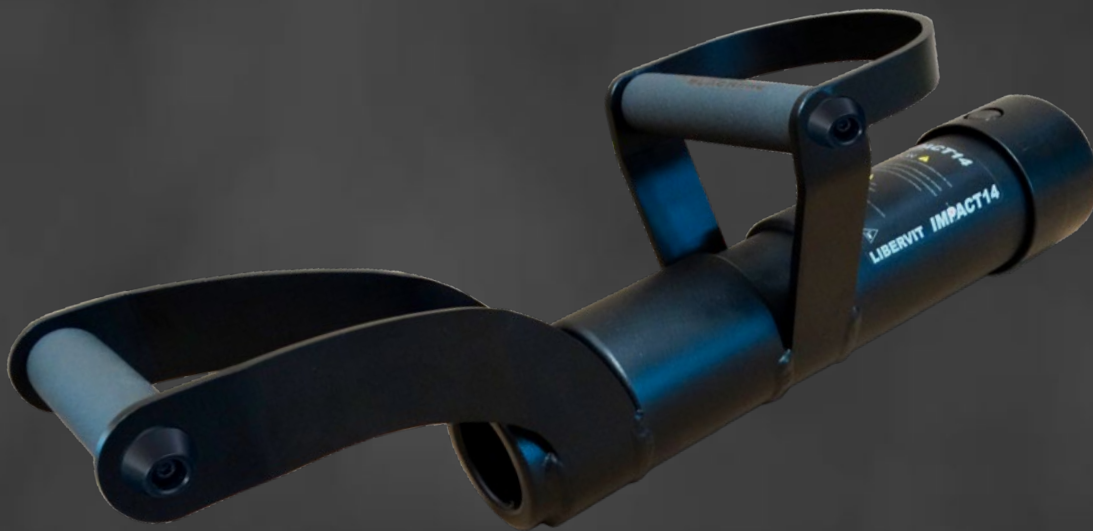
compact

TECHNICAL CHARACTERISTICS

tactical battering ram	ref. IMPACT7
impact area	Ø 89 mm - 3.5 inch
removable protection cap	qty 1, ref. CP/impact7
grip handle	qty 2
handles' type	solid with grained PVC protection
anti-noise lateral rubber side protection	yes, qty 4
available colours (handles)	dark grey or olive green
protection guard	qty 1
material	black powder coated steel
length	458 mm - 18 inch
weight	8.3 kg - 18 lbs
impact plate	on option, ref. PP/IMPACT7
transport bag	on option, ref. ST/IMPACT7
transport bag's strap	on option, ref. SP/IMPACT7
removable soundproof sleeve	on option, ref. H/IMPACT7

IMPACT14 BATTERING RAM

can be used to open doors and/or windows by one single operator.



IMPACT14



The IMPACT14 battering ram is used to break open doors or windows. With two solid handles the IMPACT14 offers precision and power. The front handle has a hand protection guard. The LIBERVIT battering ram range is a standard within our entry tools.

A tactical backpack EBP-A has been designed to transport on your back a IMPACT14 battering ram, a sledgehammer, and a bolt cutter (Entry kits chapter).



removable protection top



grip handle with protection guard



IMPACT14 battering ram

TECHNICAL CHARACTERISTICS

battering ram	ref. IMPACT14
impact area	Ø 89 mm - 3.5 inch
removable protection cap	qty 1, ref. CP/impact14
grip handle	qty 2
handles' type	solid with grained PVC protection
anti-noise lateral rubber side protection	yes, qty 4
available colours (handles)	dark grey or olive green
protection guard	qty 1
material	black powder coated steel
length	530 mm - 20 inch
weight	14 kg - 30 lbs
impact plate	on option, ref. PP/IMPACT14
transport bag	on option, ref. ST/IMPACT14
transport bag strap	on option, ref. SP/IMPACT14
removable soundproof sleeve	on option, ref. H/IMPACT14

IMPACT7/KIT - IMPACT14/KIT TACTICAL BATTERING RAM KIT

can be used to open doors and/or windows by one single operator.



IMPACT7/KIT - IMPACT14/KIT



The IMPACT7/KIT & IMPACT14/KIT tactical battering ram kit are delivered with a PP/IMPACT7 & PP/IMPACT14 plate and transport bag. The plate is placed at the front of the ram and is removable. It is used to increase the impact surface and decrease the risk of going through some wooden or PVC doors. In place of the plate, a manually removable protection cap can be used.

Two solid handles offer precision and strength. The front handle has a protection guard.

It is best to keep the ram in its transport bag after cleaning it.



PP/IMPACT14 plate



removable protection cap



transport bag

KITS TECHNICAL CHARACTERISTICS

	ref. IMPACT7	ref. IMPACT14
tactical battering ram		
impact area	Ø 89 mm - 3.5 inch	Ø 89 mm - 3.5 inch
removable protection cap	qty 1, ref. CP/impact7	qty 1, ref. CP/impact14
grip handle	qty 2	qty 2
handles' type	solid with grained PVC protection	solid with grained PVC protection
available colours (handles)	dark grey or olive green	dark grey or olive green
anti-noise lateral rubber side protection	yes, qty 4	yes, qty 4
material	black powder coated steel	black powder coated steel
length	458 mm - 18 inch	530 mm - 20 inch
weight	8.3 kg - 18 lbs	14 kg - 30 lbs
impact plate	qty 1, ref. PP/IMPACT7	qty 1, ref. PP/IMPACT14
PP/IMPACT plate impact area	150 x 170 mm	150 x 170 mm
PP/IMPACT plate weight	2 kg - 2.5 lbs	2 kg - 2.5 lbs
transport bag	qty 1, ref. ST/IMPACT7	qty 1, ref. ST/IMPACT14

MR14 BATTERING RAM

can be used to open doors and/or windows by one single operator.



MR14



The MR14 battering ram is used to break open doors or windows. With two solid handles the MR14 offers precision and strength. To add safety the front handle is far from the impact area and has a hand protection guard. The LIBERVIT battering ram range is a standard within our entry tools.

A tactical backpack EBP-A has been designed to transport on your back a MR14 battering ram, a sledgehammer, and a bolt cutter (Entry kits chapter).



protection guard



handles



Ø 100 mm - 4 inch impact area

TECHNICAL CHARACTERISTICS

tactical battering ram	ref. MR14
impact area	Ø 100 mm - 4 inch
grip handle	qty 2
handles' type	solid with grained PVC protection
available colours (handles)	dark grey or olive green
anti-noise lateral rubber side protection	yes, qty 4
protection guard	yes
material	black powder coated steel
length	569 mm - 22 inch
weight	13.5 kg - 29.5 lbs
transport bag	on option, ref. ST/MR14
transport bag strap	on option, ref. SP/MR14
removable soundproof sleeve	on option, ref. H/MR14

BATTERING RAMS ACCESSORIES

IMPACT7, IMPACT14 and MRI14 transport bags. Transport straps to ease carriage. Soundproof sleeves to avoid being detected before use. IMPACT7 & IMPACT14 impact plates to increase impact area.



BATTERING RAMS ACCESSORIES



On option accessories are available for our LIBERVIT IMPACT7, IMPACTI4 and MRI4 battering rams.

- MRI4, IMPACT7 & IMPACTI4 transport bags. The IMPACT7 & IMPACTI4 transport bags have an inside pocket to store the PP/IMPACT7 or PP/IMPACTI4 plate. A strap fits on the bag and is used for the transport of the portage of the ram
- transport straps: reduces the ram's weight and ease transportation.
- soundproof sleeves to avoid being detected before use.
- PP/IMPACT plate only for the IMPACT7 & IMPACTI4 to increase the impact surface and decrease the risk of going through some wooden or PVC doors.

TECHNICAL CHARACTERISTICS

IMPACT7 transport bag	ref. ST/IMPACT7	
IMPACTI4 transport bag	ref. ST/IMPACTI4	
MRI4 transport bag	ref. ST/MRI4	
available colours	dark grey or olive green	
IMPACT7 transport strap	ref. SP/IMPACT7	
IMPACTI4 transport strap	ref. SP/IMPACTI4	
MRI4 transport strap	ref. SP/MRI4	
available colours	dark grey or olive green	
IMPACT7 soundproof sleeve	ref. H/IMPACT7	
IMPACTI4 soundproof sleeve	ref. H/IMPACTI4	
MRI4 soundproof sleeve	ref. H/MRI4	
available colours	dark grey or olive green	
IMPACT7 ou IMPACTI4 impact plate	ref. PP/IMPACT7	ref. PP/IMPACTI4
material	black powder coated steel	black powder coated steel
impact plate dimensions	150 x 170 x 60 mm - 6 x 6.5 x 2.5 inch	150 x 170 x 60 mm - 6 x 6.5 x 2.5 inch
weight	2 kg - 4.5 lbs	2 kg - 4.5 lbs

MR20 BATTERING RAM

can be used to open doors and/or windows by one or two operators.



MR20



The MR20 battering ram is used to break open doors or windows. With four solid handles the MR20 offers precision and strength.

The shape and positioning of the handles have been thought to be used by two persons. To add safety the front handles are far from the impact area and have a hand protection guard.

The LIBERVIT MR series battering rams are a standard within our entry tools.



anti-noise lateral rubber side protection



front handles



Ø 100 mm - 4-inch impact area

TECHNICAL CHARACTERISTICS

tactical battering ram	ref. MR20
utilisation	1 ou 2 persons
impact area	Ø 100 mm - 4 inch
grip handles	qty 4
handles' type	solid with grained PVC protection
available colours (handles)	dark grey or olive green
anti-noise lateral rubber side protection	yes, qty 4
protection guard	yes
material	black powder coated steel
length	820 mm - 33 inch
weight	20.3 kg - 44.5 lbs

MR30 BATTERING RAM

can be used to open doors and/or windows by one or two operators.



MR30



The MR30 battering ram is used to breach doors or windows. With 4 solid handles it is used by a two persons team. Its 30 kg weight help in opening quite resistant doors. To add safety the front handles are far from the impact area and have a hand protection guard.

The LIBERVIT MR series battering rams are a standard within our entry tools.



anti-noise lateral rubber side protection



4 solid handles



Ø 100 mm - 4-inch impact area

TECHNICAL CHARACTERISTICS

tactical battering ram	ref. MR30
utilisation	2 persons
impact area	Ø 100 mm - 4 inch
grip handles	qty 4
handles' type	solid with grained PVC protection
available colours (handles)	dark grey or olive green
anti-noise lateral rubber side protection	yes, qty 4
protection guard	yes
material	black powder coated steel
length	1090 mm - 43 inch
weight	30 kg - 66 lbs





BS5 - BS3 - NBS1 SLEDGE HAMMERS

used to quickly gain entry.



BS5 - BS3 - NBS1



The BS5, the BS3 and NBS1 sledgehammers are usually used to quickly gain entry. The grip handle answers the NF EN 60900 norms as it is insulating and can protect from up to 1000V in alternating current and up to 1500V in direct current. The sledgehammers are made of steel.

A tactical backpack EBP-A has been designed to transport on your back a BS3 or a BS5 sledgehammer, a battering ram, and a bolt cutter (Entry kits chapter).

A NEBP-A tactical bag has been designed to carry on the back a NBS1 small sledgehammer and a NBP small lever.



BS5, BS3 & NBS1 sledgehammers



Electrical shocks' rubber protection handle



4 kg sledgehammer' s head

CARACTÉRISTIQUES TECHNIQUES

	ref. BS3	ref. BS5	ref. NBS1
sledgehammer	ref. BS3	ref. BS5	ref. NBS1
sledgehammer head weight	4 kg	4 kg	1 kg
protection handle	electrical shocks' protective coating	electrical shocks' protective coating	electrical shocks' protective coating
available colours	dark grey or olive green	dark grey or olive green	dark grey or olive green
total length	625 mm - 2 ft	850 mm - 3 ft	305 mm - 1 ft
total weight	6 kg - 13 lbs	6.6 kg - 14.5 lbs	1.7 kg - 3.7 lbs

CBT10 - CBT12 BOLT CUTTERS

to cut padlocks, fences, barbwire etc.



CBT10 & CBT12



The CBT10 and CBT12 bolt-cutters are used to cut through padlocks, barbwire, fences. The electrical shocks' rubber protection, norms NF EN 69000, keeps you safe when cutting live objects up to 1000V in AC and up to 1500V in DC . A tactical backpack EBP-A has been designed to transport on your back a CBT10 or a CBT12 bolt-cutter, a battering ram, and a sledgehammer (Entry kits chapter).



replaceable blades



electrical shocks' rubber protection handle



Ø 12 mm max cutting capacity

TECHNICAL CHARACTERISTICS

small size bolt-cutter	ref. CBT10
blades	replaceable
cutting capacity	Ø 10 mm - 0.4 inch max
arms	electrical shocks' protective coating
available colours	dark grey or olive green
total length	627 mm - 2 ft
weight	2.7 kg - 6 lbs
big size bolt-cutter	réf. CBT12
blades	replaceable
cutting capacity	Ø 12 mm - 0.5 inch max
arms	electrical shocks' protective coating
available colours	dark grey or olive green
total length	770 mm - 2.5 ft
weight	3.9 kg - 8.5 lbs

BA6 TACTICAL AXE

to tear, cut, pierce through, make gaps..



BA6



There is a real need for such a tool in breaching operations, excavation, and numerous other applications. The BA6 tactical axe can tear, cut, pierce through, make gaps. Its blade is two-sided: one comes with an adze head and the other with a pickaxe. The electrical shocks' rubber protection, norms NF EN 69000, keeps you safe when cutting live objects up to 1000V in AC and up to 1500V in DC.



adze head – cutting side



electrical shocks' rubber protection handle



pickaxe head- perforating side

TECHNICAL CHARACTERISTICS

tactical axe	ref. BA6
blade length	230 mm - 9 inch
hardness	M310
steel type	stainless steel
blade type	adze head & pickaxe
blades	replaceable
handle	electrical shocks' protective coating
available colours	dark grey or olive green
total length	750 mm - 2.5 ft
weight	3 kg - 7 lbs

TWB15 TELESCOPIC WINDOW BREACHER

to break and pierce windows, shutters, metallic curtains.





The TWB15 window breacher works great to remove the toughest windows, blinds and curtains. The telescopic rod is perfect for piercing, pulling, pushing and ripping out windows. Its telescopic handle is perfect to reduce its size for transport and storage. Its 360° handle offers 4 locking points.



serrated cutting edge and spike



360° handle with 4 locking points



telescopic handle

TECHNICAL CHARACTERISTICS

Window breacher	ref. TWB15
Blade length	250 mm - 9 inch
hardness	M310
steel type	stainless steel
blade type	serrated cutting edge and spike
blade	replaceable
rod	telescopic
handle	360° handle with 4 locking points
handle material	electrical shocks' protective coating
available colours	dark grey, black or olive green
retracted length	1200 mm - 4 ft
deployed length	1650 mm - 5.5 ft
weight	3.3 kg - 7 lbs

SINGLE HEAD/ ACTION2/ NPB PRY BARS

spread partitions, walls and light-weight doors, rips out bolt locks and padlocks, raises metal shutters, to prepare a space on the door frame to place a hydraulic door opener, etc...



SINGLE HEAD / ACTION2 / NPB



The SINGLE HEAD/ ACTION2/ NPB pry bars belong to the manual entry tools range. They spread partitions, walls and light-weight doors, rips apart bolt locks and padlocks, raises metal shutters, to prepare a space on the door frame to place a hydraulic door opener etc.

The SINGLE HEAD pry bar measures up to 960 mm and the ACTION2 pry bar up to 1050 mm. Their 180° indexable head offers a 14 locking positions for all type of access. The indexable head is made from high-resistance steel foundry covered in a black anti-corrosion coating.

At its other end the ACTION2 pry bar finishes as a crowbar to rip apart nails or be used as a lever.

The NPB pry bar, 360 mm long has a V-shape head with a hit point and 11 locking positions.



ACTION2 crowbar end



180° indexable head



NPB pry bar V-shape head

TECHNICAL CHARACTERISTICS

	SINGLE HEAD	ACTION 2	NPB
reference	SINGLE HEAD	ACTION 2	NPB
telescopic	yes	yes	no
material	black treated steel	black treated steel	black treated steel
retracted length	635 mm - 2 ft	730 mm - 2.4 ft	370 mm - 1.5 ft
deployed length	960 mm - 3 ft	1050 mm - 3.5 ft	
handle diameter	Ø 35 mm - Ø 1 inch	Ø 32 mm - Ø 1 inch	Ø 20 mm - Ø 0.7 inch
handle	PVC protection	PVC protection	electrical shocks' protective coating
available colours	dark grey or olive green	dark grey or olive green	dark grey or olive green
dimensions	650 x 75 mm - 25 x 3 inch	730 x 95 mm - 29 x 4 inch	370 x 35 mm - 14 x 1 inch
weight	2.2 kg - 4.5 lbs	2.7 kg - 5.5 lbs	1 kg - 2.2 lbs

V90 TACTICAL PRY BAR

spread partitions, walls and light-weight doors, rips apart bolt locks and padlocks, raises metal shutters, etc. it creates gaps to able hydraulic door-openers to fit in.



V90



The LIBERVIT V90 pry bar has at one end a large, notched plate at a 90° angle from the handling arm and at the other end a crowbar.

The notched plate is made from high resistance treated steel, perfect to resist intense spreading efforts and has also a hit pad onto which a hammer or ram can be used to push the notched plate in dire places.

The crowbar end is used to rip apart nails, padlocks and create gaps for LIBERVIT hydraulic door-openers such as the DP55, DP71 or the FAST35.

For better hold the handle is coated with non-slip semi-rigid PVC.

A tactical backpack rack has been designed to transport on your back a CBT10 or a CBT12 bolt-cutter, a sledgehammer & a V90 lever.



crowbar



hit pad



notched plate

TECHNICAL CHARACTERISTICS

pry bar	ref. V90
telescopic	no
lever heads	90° notched plate and crowbar
material	high resistance treated steel
handle diameter	Ø 20 mm - Ø 0.7 inch
handle	PVC protection
available colours	dark grey or olive green
length	711 mm - 28 inch
weight	2.5 kg - 5.4 lbs
engineered by	SET





HANDS' PROTECTION

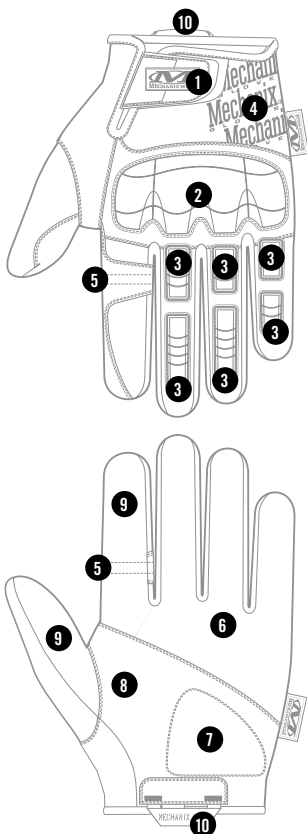
protect the hands in operation against impacts or flames.



L-BREACHER



The L-breacher is a tactical glove used by special intervention groups from the Police or the Military. A dense thermoplastic elastomer moulded knuckles protection (TPE) answers the EN13594 anti-impact norm. A palm padding absorb the impacts to relieve the hand from unnecessary stress in operation. Special forces (GIGN, SWAT, etc.) are protected by the Nomex and goat leather material when using explosives. The L-breacher goat material is compatible with touch screens.



Certifications



XXXS	XXS	XS	S	M	L	XL	XXL	XXXL
05	06	07	08	09	10	11	12	13

TACTICAL GLOVES - ref. L-BREACHER

1. the Wide-Fit closing is comfortable and secured at the wrist
2. the dense thermoplastic elastomer moulded knuckles protection (TPE) answers the EN13594 anti-impact norm
3. the dense thermoplastic elastomer moulded fingers protection (TPE) reduces impacts and abrasions.
4. Nomex® offers high resistance to flames
5. the trigger finger double seams resist fraying
6. 0,6 mm. Fireproof goat leather
7. the D30 palm padding absorb the impacts to relieve the hand from unnecessary stress in operation.
8. the goat and deer leather outer side resists to flames and gives a better hold
9. touch screen fireproof goat leather
10. nylon buckles.

ENTRY KITS – TRANSPORT BAGS

these transport bags are made to carry LIBERVIT tactical manual tools on the back.





BACKPACK BAGS- EBP series

The EBP series bags have been designed to back carry 3 or 4 LIBERVIT manual tools. The tools are stowed on the bags with the help of straps, quick-release buckles and Velcro.

The back is padded with a high density foam for comfort as well as adjustable padded shoulder straps, an abdominal belt and an adjustable chest strap for back support. To complete the bag, a reinforced handle to carry by hand and a protection sleeve to cover the whole equipment in extreme weather.

A small backpack ref. EBPNI is also available to carry the NSBI sledgehammer and a NPB pry bar.

Different colours are available on demand: dark grey/ olive green / camouflage.

TECHNICAL CHARACTERISTICS

backpack bag	ref. EBP series (references differ with tools choice))
material	Cordura® nylon fabric
available colours	dark grey or olive green or camouflage
removable protection sleeve	yes, zipped storage pocket
sleeve IP index	IP64
reinforced handle	yes
adjustable straps	padded straps, abdominal belt, chest strap
backrest	rigid and padded
transport modes	on back, by hand
configuration	3 or 4 LIBERVIT manual tools to choose from (sledgehammer, bolt-cutters..)
EBP dimensions (3 tools)	600 x 500 mm
EBP dimensions (4 tools)	650 x 600 mm
weight empty	EBP-A : 1.84 kg -EBP-B : 1.54 kg -EBP-C : 1.60 kg -EBP-D : 1.50 kg -EBP-E : 1.80 kg -EBP-F : 2.3 kg

ENTRY KITS – TRANSPORT BAGS



EBP-A



EBP-B



EBP-C



EBP-D



EBP-E



EBP-F



backpack bag



adjustable straps



protection sleeve storage pocket



straps with quick-release buckles



Cordura® nylon fabric (1100 Den)



removable protection sleeve (IP64)



Velcro straps to stow tools



rigid and padded backrest for comfort



reinforced transport handle



adjustable chest strap

ENTRY KITS SELECTION

LIBERVIT manual tools possible configurations on entry kits backpack bags. Refer to the table below, non-exhaustive list. Special configurations on demand.

3 tools transport bags

entry kits reference	CBT10 bolt cutter	CBT12 bolt cutter	BS3 sledgehammer	BS5 sledgehammer	MR14 ram	IMPACT7 ram	IMPACT14 ram	SINGLE HEAD pry bar	ACTION2 pry bar	backpack bags	protection sleeve size
EBP1	■		■		■					EBP-A	P
EBP2		■		■	■					EBP-A	G
EBP3		■	■		■					EBP-A	G
EBP4	■			■	■					EBP-A	G
EBP5	■		■				■			EBP-C	P
EBP6	■		■					■		EBP-B	P
EBP7		■		■					■	EBP-B	G
EBP8	■		■						■	EBP-B	P
EBP9	■			■			■			EBP-C	G
EBP10		■		■			■			EBP-C	G
EBP11		■	■					■		EBP-B	G
EBP12		■		■				■		EBP-B	G
EBP13	■			■				■		EBP-B	G
EBP14		■					■		■	EBP-D	G
EBP15		■					■	■		EBP-D	G
EBP16	■						■	■		EBP-D	P
EBP17	■				■				■	EBP-E	P
EBP18	■				■			■		EBP-E	P
EBP19	■		■			■				EBP-C	P
EBP20		■		■		■				EBP-C	G
EBP21		■	■						■	EBP-C	G
EBP22	■			■					■	EBP-C	G
EBP23		■	■			■				EBP-C	G
EBP24	■			■				■		EBP-B	G
EBP25		■	■					■		EBP-B	G
EBP26	■					■		■		EBP-D	P
EBP27	■						■		■	EBP-D	P
EBP28		■						■	■	EBP-D	G
EBP29		■					■		■	EBP-D	G
EBP30	■							■	■	EBP-D	P
EBP31		■			■		■			EBP-E	G
EBP32		■			■			■		EBP-E	G

Non-exhaustive list. 4 LIBERVIT manual tools configuration possible. Available colours: dark grey, olive green or camouflage.





POLICE

GARDA EMERGENCY
RESPONSE UNIT

HYDRAULIC DOOR-OPENERS

Ensures the opening of inward and outward opening doors silently and quickly.*



* depending on the door type.



light hydraulic door-openers



anti-panic hydraulic door-opener



mid-range hydraulic door-opener



entry hydraulic units



high performance hydraulic door opener



fast hydraulic spreader with controlled action

OP55 – light hydraulic door-opener

the OP55 hydraulic door opener ensures quick and silent opening of inward opening non-armoured doors, gates, shutters, sliding curtains and also outward by acting as a spreader. The handle with a contactor to action the door-opener offers a good hand hold.





OP55

The OP55 hydraulic door opener ensures quick and silent opening of inward opening non-armoured doors, gates, shutters, sliding curtains and also outward by acting as a spreader.

The start contactor is used to deploy the door-opener*. On releasing the contactor, the tool stops and automatically retracts connected to a LIBERVIT hydraulic power unit.

The OP55 is delivered in a transport bag. It can also be delivered on option in a PELICASE.

* when used with a LIBERVIT manual pump the OP55 does not automatically retract and you will not have to press on the start contactor.

(*tool not self-sufficient)

TECHNICAL CHARACTERISTICS

light hydraulic door-opener	ref. OP55	
jack thrust	6 tons	
jack's stroke	143 mm - 6 inch	
dimensions	325 x 112 x 240 mm - 13 x 4.5 x 9.5 inch	
weight	4.8 kg - 10.5 lbs	
available colours	dark grey or olive green	
transport bag	yes, ref. ST/OP55	
PELICASE transport case	on option, ref. VDT/OP55 (LIBERVIT BLACKline)	on option, ref. VLD/OP55 (LIBERVIT DEFENSE)
colour	black	olive green
silica gel cartridge	qty 1, used to prevent humidity	qty 1, used to prevent humidity
dimensions	407 x 330 x 175 mm - 16 x 13 x 7 inch	460 x 340 x 170 mm - 18 x 13 x 6 inch
empty case weight	3 kg - 6 lbs	3.2 kg - 7 lbs
fully equipped case weight	7.8 kg - 17 lbs	8 kg - 17.5 lbs
hydraulic coupling cap	on option, ref. BF	
colours available	dark grey or olive green	





OP71- light hydraulic door-opener

ensures the opening of inward and outward opening doors, gates, shutters, sliding curtains silently and quickly as well as some ships' waterproof doors.



OP71 - OP71P



The OP71 and OP71P hydraulic door opener ensure quick and silent opening of inward opening non-armoured doors, gates, shutters, sliding curtains and also outward by acting as a spreader.

The start contactor is used to deploy the door-opener*. On releasing the contactor, the tool stops and automatically retracts connected to a LIBERVIT hydraulic power unit.

The OP71 and OP71P are delivered in a transport bag, they can also be delivered on option in a PELICASE.

* when used with a LIBERVIT manual pump the tools do not automatically retract and you will not have to press on the start contactor. On option a handle can be added for a better tool hold.

(*tool not self-sufficient)

TECHNICAL CHARACTERISTICS

	ref. OP71	réf. OP71P
light hydraulic door-opener	ref. OP71	réf. OP71P
1st stage thrust	7.2 tons	7.2 tons
2nd stage thrust	2.8 tons	2.8 tons
jack's stroke	262 mm - 10 inch	262 mm - 10 inch
1st stage's stroke	151.5 mm - 6 inch	151.5 mm - 6 inch
2nd stage's stroke	110.5 mm - 4.5 inch	110.5 mm - 4.5 inch
handle grip	no	yes
dimensions	365 x 140 x 120 mm - 14 x 5.5 x 5 inch	365 x 260 x 120 mm - 14 x 5.5 x 5 inch
weight	6 kg - 13 lbs	6.2 kg - 13.5 lbs
transport bag	oui, réf. ST/OP7	oui, réf. ST/OP7P
OP71 grip handle	on option, ref. POP7	
PELICASE transport case	on option, ref. VDT/OP7 or VLD/OP7	on option, ref. VDT/OP7P or VLD/OP7P
colour	black (LIBERVIT BLACKline)	olive green (LIBERVIT DEFENSE)
silica gel cartridge	qty 1, used to prevent humidity	qty 1, used to prevent humidity
dimensions	407 x 330 x 175 mm - 16 x 13 x 7 inch	460 x 340 x 170 mm - 18 x 13 x 6 inch
empty case weight	3 kg - 6 lbs	3.2 kg - 7 lbs
fully equipped case weight	9 kg - 19.5 lbs	9.2 kg - 20 lbs
hydraulic coupling cap	on option, ref. BF	
colours available	dark grey or olive green	





HR7- middle range hydraulic door-opener

designed to open PVC, wooden or metal doors,
single or multi-locks opening inward.



HR7



Designed to open PVC, wooden or metal doors, single or multi-locks opening inward, the HR7 hydraulic jack is placed horizontally between the door's vertical frames. A handle on the jack gives a better grip. It has an exclusive telescopic rod system with a "Extend" quick-lock and it can be adjusted in length to reduce installation time in front of the door.

For power supply, the HR7 jack requires either one of the LIBERVIT hydraulic power units or a LIBERVIT hand pump. Two control switches on the tool activate the HR7 jacks.

(*tool not self-sufficient needs to be used with a hydraulic power unit or manual pump)



HR7- mid-range hydraulic door-opener

TECHNICAL CHARACTERISTICS

mid-range hydraulic door-opener	ref. HR7	
horizontal jack's thrust	5.7 tons	
retracted horizontal jack length	670 mm - 26 inch	
deployed horizontal jack length	942 mm - 37 inch	
horizontal jack & R36 extension length	1292 mm - 4.2 ft	
pushing jack 1st stage thrust	71 kN	
pushing jack 2nd stage thrust	28kN	
pushing jack 1st stage stroke	175 mm - 7 inch	
pushing jack 2nd stage stroke	113 mm - 4.5 inch	
total pushing jack stroke	288 mm - 11 inch	
horizontal jack handle	yes	
start switches	yes, qty 2	
available colours	dark grey, black or olive green	
dimensions	670 x 470 x 100 mm - 26.5 x 18.5 x 4 inch	
door-opener and plate pair weight PP/HR7	13.8 kg - 30.5 lbs	
delivered with 3 plates' pair	yes, ref. PP/HR7, PR/HR7, PRL/HR7	
PP/HR7 plate dimensions	74.7 x 72 x 33.5 mm - 3 x 2.5 x 1.2 inch	
Plate weight	520 g - 1.15 lbs	
PR/HR7 plate dimensions	74.7 x 72 x 51.13 mm - 3 x 2.5 x 2 inch	
Plate weight	580 g - 1.28 lbs	
PRL/HR7 plate dimensions	74.7 x 92 x 51.13 mm - 3 x 3.5 x 2 inch	
plate weight	700 g - 1.54 lbs	
delivered with extension	yes, ref. HR80	
dimensions	110 x 72 x 74.7 mm - 4 x 3 x 3 inch	
weight	1 kg - 2.2 lbs	
delivered with extension	yes, ref. R36	
retracted length	265 mm - 10.4 inch	
deployed length	347.5 mm - 13.7 inch	
dimensions	288.5 x 72.5 x 74.75 mm - 11.4 x 2.8 x 3 inch	
weight	1.6 kg - 3.5 lbs	
delivered with tape measure	yes, ref. L3M	
tape length	3 m - 10 ft	
tape width	16 mm - 0.5 inch	
magnetic	yes	
self-locking	yes	
dimensions	70 x 60 x 30 mm - 3 x 2.5 x 1 inch	
weight	11 g - 0.5 oz	
delivered in PELICASE transport case	yes, ref. VDT/HR7 (LIBERVIT BLACKline)	ref. VDT/HR7 (LIBERVIT DEFENSE)
available colours	black	olive green
silica gel cartridge	qty 1, used to prevent humidity	qty 1, used to prevent humidity
dimensions	628 x 498 x 303 mm - 25 x 20 x 12 inch	625 x 500 x 218 mm - 24 x 19 x 8 inch
weight empty	10.4 kg - 23 lbs	6.5 kg - 14 lbs
weight loaded	28.5 kg - 62 lbs	24.6 kg - 54 lbs



HR80 extension



L3M tape measure



×2 plates, ref: PP/HR7



×2 plates, ref: PR/HR7



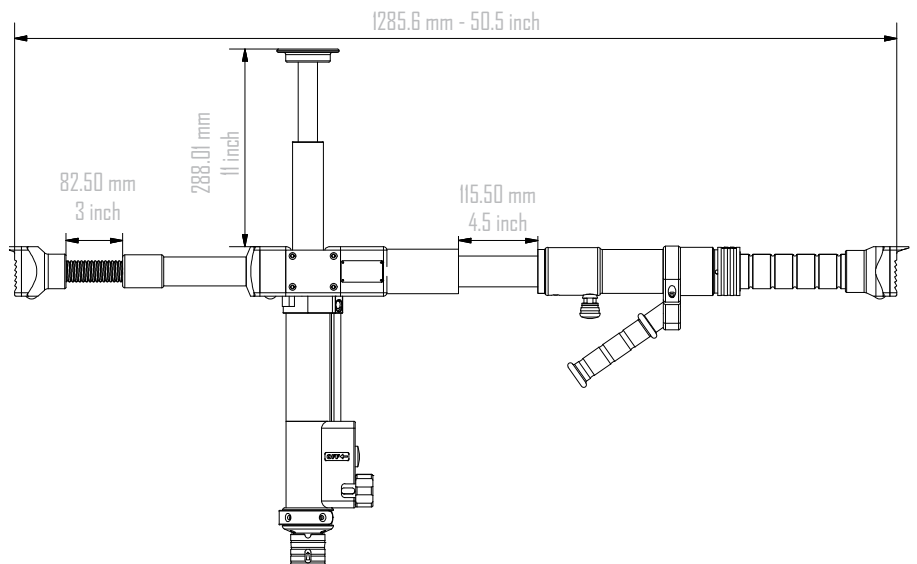
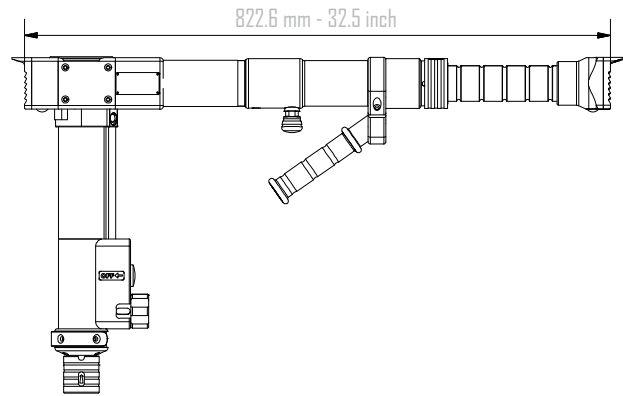
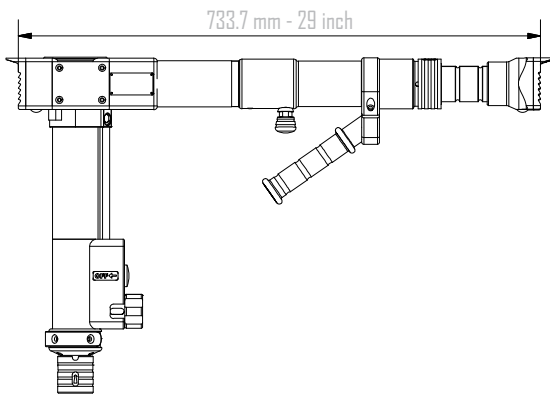
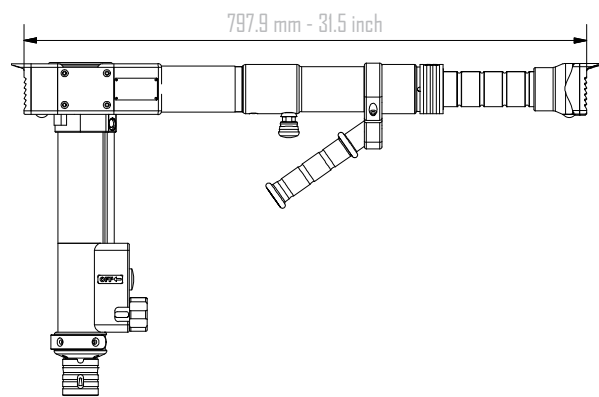
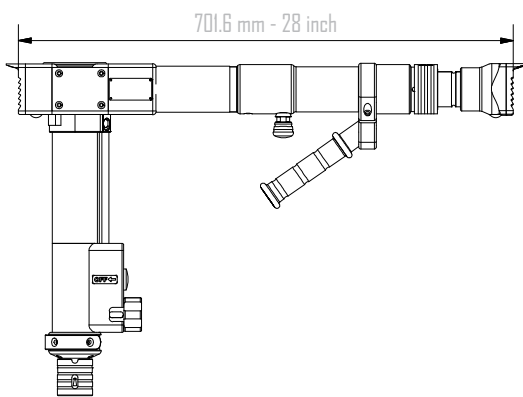
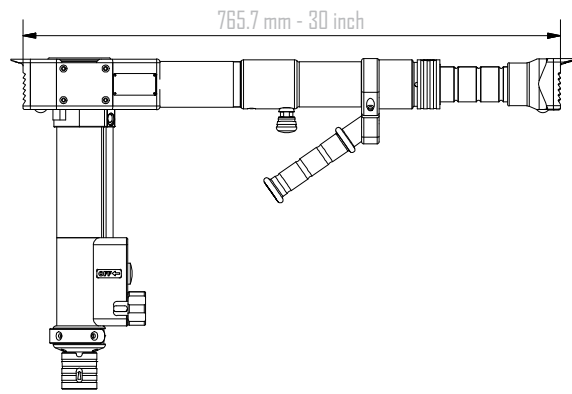
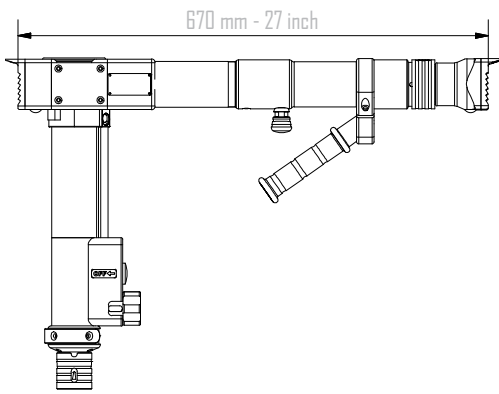
×2 plates, ref: PRL/HR7

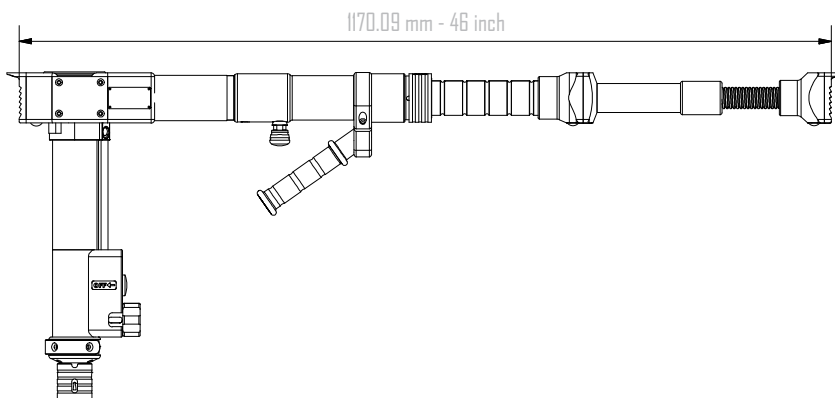
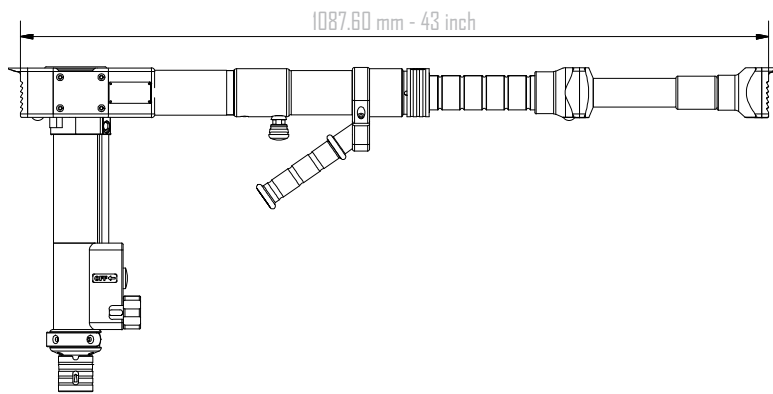
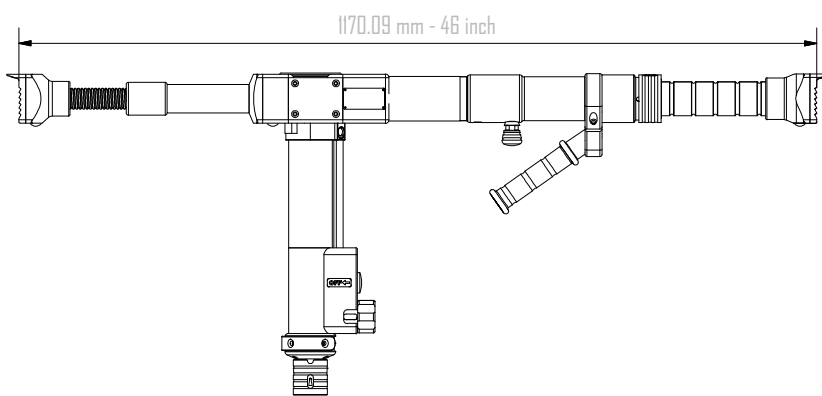
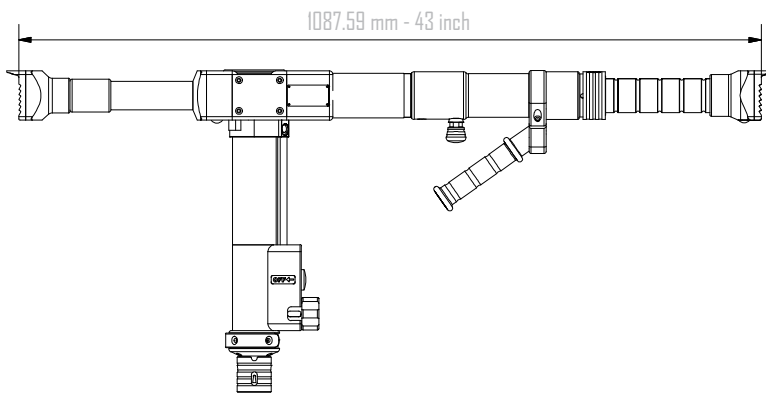


silica gel cartridge
(used to prevent humidity)



HR7 different positions' dimensions





HR7 ACCESSORIES - BF - PROTECTION CAP



protection cap
colour
dimensions
weight

ref. BF
black
40 mm x Ø60 mm - 1.5 inch x Ø2.5 inch
60 g - 0.13 lbs

The protection cap BF (female) protects your HR7 hydraulic door opener coupling from shocks and dust. When buying the HR7 the protection cap is an option.

HR7 ACCESSORIES - PX/HR7 extensions

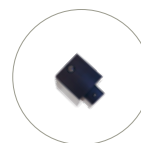
HR7 extension case
delivered in transport case
extensions included
silica gel cartridge
case dimension
weight empty
weight loaded

ref. PX/HR7
yes, ref VDT/PXHR7, case PELICASE
ref. HR80, HR150, HR200
qty 1, used to prevent humidity
406 x 330 x 174 mm - 16 x 13 x 7 inch
2.6 kg - 5.7 lbs
10 kg - 22 lbs



extension
material
dimensions
weight

ref. HR80
black anodized aluminium
110 x 72 x 74.7 mm - 4 x 3 x 3 inch
1 kg - 2.2 lbs



extension
material
dimensions
weight

ref. HR150
black anodized aluminium
180 x 72 x 74.7 mm - 7 x 3 x 3 inch
1.1 kg - 2.4 lbs



extension
material
dimensions
weight

ref. HR200
black anodized aluminium
230 x 72 x 74.7 mm - 9 x 3 x 3 inch
1.3 kg - 2.8 lbs



The HR80, HR150 and HR200 manually removable extensions are delivered in a PELICASE filled with high density foam into which an imprint of the extensions is made. It provides a perfect fit for the transport or storage. The HR7 and its extension will work on almost all doors. The extensions are an option when buying the HR7 door-opener.

HR7 ACCESSORIES - CLE/HR7 - BACKPACK RACK



HR7 backpack rack	ref. CLE/HR7
colour	black
transport harness	grey / black nylon
adjustable straps	yes
transport handle	yes
material	black powder coated aluminium alloy
dimensions	595 x 435 x 125 mm - 23 x 17 x 5 inch
weight empty	8.3 kg - 18.3 lbs
weight loaded	24.9 kg - 55 lbs

The HR7 is delivered in a PELICASE transport case but it can be replaced by a backpack rack on demand. The LIBERVIT backpack rack is made of black powder coated aluminium alloy and has wide adjustable shoulder straps as well as an abdominal one to provide comfort and stability when carrying it. Each backpack rack has fasteners adapted to the tools it carries.

HR7 ACCESSORIES - PLKIT/ HR7- HR7 plates for PVC doors

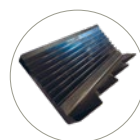
kit PVC doors plates	ref. PLKIT/HR7
delivered in PELICASE transport case	yes, ref VDT/PLKIT
plates included	ref. PRL125/HR7, PRL180/HR7, PRL300/HR7
silica gel cartridge	qty 1, used to prevent humidity
case dimensions	470 x 357 x 176 mm - 18.5 x 14 x 7 inch
weight empty	3.2 kg - 6.5 lbs
weight loaded	13.4 kg - 28 lbs



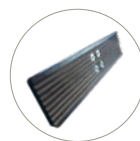
plates	ref. PRL125/HR7
dimensions	90 x 125 x 60 mm - 3.5 x 5 x 2.5 inch
plate weight	1.1 Kg - 2.6 lbs
quantity	2 plates



plates	PRL180/HR7
dimensions	90 x 180 x 70 mm - 3 x 7 x 2 inch
plate weight	1.6 kg - 3.5 lbs
quantity	2 plates



plates	ref. PRL300/HR7
dimensions	70 x 300 x 40 mm - 2 x 12 x 2 inch
plate weight	2.05 kg - 4.5 lbs
quantity	2 plates



The special PVC doors plates are manually removable and are packed in a PELICASE. The PRL125/HR7 anti-slip with hook plate is placed between the door and the door frame to guarantee an extra grip for the jack while pushing. The PRL180/HR7 and the PRL300/HR7 have the same function with different dimensions. The PRL300/HR7 is mainly used with doors framed by decoration mouldings. The PLKIT/HR7 is an option when buying a HR7 hydraulic door-opener.





VE70-L- high performance hydraulic door-opener

the VE70-L hydraulic door-opener opens heavy-armoured, inward-opening, multi-locks, wooden, PVC, metal doors or outward-opening metal doors when equipped with the option T.



VE70-L



The VE70-L hydraulic door-opener opens heavy-armoured, inward-opening, multi-locks, wooden, PVC, metal doors or outward-opening metal doors when equipped with the option T. Silent, quick and easy to use, a heavy-armoured door can be opened in less than 20 seconds.

On the VE70-L hydraulic jack, the upper bearing plate is fitted with a manually removable plate.

The doors' opening is done progressively, without impact and in optimal silence whichever mode chosen: remote controlled or by actioning the control switch on the tool.

Rubber stoppers, placed at strategic points along the tool reduce the noise risk during transportation and whilst operating.

(*tool not self-sufficient needs to be used with a LIBERVIT hydraulic power unit or manual pump)



VE70-L high performance jack

TECHNICAL CHARACTERISTICS

high performance hydraulic jack	ref. VE70-L
thrust	7.1 tons
hydraulic jack stroke	522 mm - 20.5 inch
hydraulic jack retracted	1130 mm - 44.5 inch
hydraulic jack deployed	1650 mm - 65 inch
upper support length	880 mm - 35 inch
deployed upper support length	990 mm - 39 inch
transport handle	yes
upper support plate	yes (removable)
door & ground plate support crampons	yes (removable)
door & ground anti-noise plate sole	yes (removable)
available colours	dark grey, black or olive green
VE70-L dimensions	1130 x 300 x 135 mm - 45 x 12 x 5 inch
VE70-L weight	16 kg - 35 lbs



VE70-L high performance jack



upper support plate



door & ground
anti-noise plate
with SGI sole

carbon upper support



locking button

hydraulic jack

service handle

hose coupling

door & ground bearing
plate with crampons



jack's service handle
instructions symbols



VE70-L/KIT high performance door-opener and accessories

TECHNICAL CHARACTERISTICS

VE70-L hydraulic jack set	ref. VE70-L/KIT	
high performance hydraulic door-opener	ref. VE70-L	
thrust	71 kN	
hydraulic jack stroke	522 mm - 20.5 inch	
hydraulic jack retracted	1130 mm - 44.5 inch	
hydraulic jack deployed	1650 mm - 65 inch	
upper support length	880 mm - 35 inch	
deployed upper support length	990 mm - 39 inch	
transport handle	yes	
upper support plate	yes (removable)	
door & ground plate support crampons	yes (removable)	
door & ground anti-noise plate sole	yes (removable)	
available colours	dark grey or olive green	
VE70-L dimensions	1130 x 300 x 135 mm - 45 x 12 x 5 inch	
VE70-L weight	16 kg - 35 lbs	
150 mm extension	ref. R150	
length	L 150 mm - 6 inch	
weight	1 kg - 2 lbs	
300 mm extension	ref. R300	
length	300 mm - 12 inch	
weight	1.8 kg - 4 lbs	
450 mm extension	ref. R450	
length	450 mm - 18 inch	
weight	2.5 kg - 5.5 lbs	
PELICASE® transport case	ref. VDT2 (LIBERVIT BLACKline)	réf. VLD2 (LIBERVIT DEFENSE)
available colours	black	olive green
silica gel cartridge	qty 1, used to prevent humidity	qty 1, used to prevent humidity
case dimensions	1350 x 405 x 170 mm - 53 x 16 x 7 inch	1366 x 419 x 170 mm - 53 x 16 x 7 inch
weight empty	10.7 kg - 23.5 lbs	10.5 kg - 23 lbs
case weight loaded	32 kg - 70.5 lbs	31.8 kg - 70 lbs



in the transport case
a silica gel cartridge
(used to prevent humidity)

VE70-L/KIT high performance door-opener and accessories

VE70-L hydraulic jack door opener



extension ref. R150



extension ref. R300



extension ref. R450



VDT2 PELICASE® transport case (LIBERVIT BLACKline)

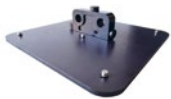
LIBERVIT

accessories' VE70-L high performance door-opener



R150 extension
R300 extension
R450 extension

ref. R150, L 150 mm - 6 inch - weight : 1 kg - 2 lbs
ref. R300, L 300 mm - 12 inch - weight : 1.8 kg - 4 lbs
ref. R450, L 450 mm - 18 inch - weight : 2.5 kg - 5.5 lbs



SGS1 small plate
anti-slip crampons
dimensions
weight

ref. SGS1
qty 6
300 x 300 x 8 mm - 12 x 12 x 0.5 inch
6.4 kg - 14 lbs



SGS2 large plate
anti-slip crampons
dimensions
weight

ref. SGS2
qty 6
450 x 450 x 8 mm - 18 x 18 x 0.5 inch
13.5 kg - 30 lbs



OMEGA anti-slip hooked bearing plate
dimensions
weight
VE70-L jack adaptable

ref. OMEGA
70 x 75 x 64 mm - 2.7 x 3 x 2.5 inch
765 g - 1.6 lbs
from July 2010



ASC/594 short upper support
size difference
material
dimensions
weight
VE70-L jack adaptable

ref. ASC/594
129 mm - 5 inch shorter than VE70-L bearing plate
carbon fiber
791 x 103 mm - 31 x 4 inch
2.4 kg - 5 lbs
from July 2010



KIT/ASO accessories in Pelicase[®]
includes:
short upper support
flange axis
short plate
anti-slip hooked bearing plate
PELICASE[®] transport case
silica gel cartridge
case dimensions
weight empty

ref. KIT/ASO

ref. ASC/594
ref. VE70-L/EU-019
ref. SGS1
ref. OMEGA
ref. VDT/ASO
qty 1, used to prevent humidity
960 x 430 x 160 mm - 4 x 1.5 x 6 inch
7.9 kg - 4 lbs



VHR70 - HR7 plate adaptor for VE70-L
dimensions
weight
material
adaptable on VE70-L jack
delivered in solid transport case

ref. VHR70
83.5 x 74.7 x 72 mm - 3.2 x 2.9 x 2.8 inch
422 g 10- lbs
black powder coated aluminium alloy
from june 2010
yes

accessories' VE70-L high performance door-opener



optionT bearing point for outward opening metal doors

reference	optionT
hit pad	yes
dimensions	284 x 120 mm - 11 x 5 inch
weight	3.2 kg - 7 lbs
VE70-L jack adaptable	from July 2010
delivered in solid transport case	yes



SIG anti-noise sole

reference	ref. SIG
dimensions	148 x 118 x 10 mm - 5 x 4 x 0.3 inch
weight	250 g - 9 oz
available colours	dark grey or olive green
delivered by	ref. SIG/5



THORN perforating spur

reference	ref. THORN
dimensions	149 x 120 x 103 mm - 6 x 5 x 4 inch
weight	1.8 kg - 4 lbs
VE70-L jack adaptable	from July 2010
delivered in solid transport case	yes



VE70-L/C crampons

reference	ref. VE70-L/C
crampon dimensions	Ø 148 x 22 mm - Ø 6 x 0.5 inch
crampon weight	9 g - 0.3 oz
circ clips & crampons	qty 4 per bag



sharpening station

reference	ref. TOURET/VE70/EU-015
turntable supply voltage	220 Volts
grinding wheel dimensions	Ø 150 x 20 x 32 mm - Ø 6 x 0.8 x 1.5 inch
station dimension	350 x 280 x 230 mm - 14 x 11 x 9 inch
weight	10.95 kg - 24 lbs



transport bag

reference	ref. ST/VE70-L
dimensions	1150 x 350 x 150 mm - 45 x 14 x 6 inch
empty bag weight	1.5 kg - 3 lbs



PELICASE[®] transport case

LIBERVIT BLACKline colour	ref. VDT2 (LIBERVIT BLACKline)
black	black
dimensions	1346 x 406 x 1555 mm - 53 x 16 x 6 inch
weight empty	11 kg - 25.5 lbs



PELICASE[®] transport case

LIBERVIT Defense colour	ref. VLD2 (LIBERVIT DEFENSE)
olive green	olive green
dimensions	1366 x 419 x 170 mm - 54 x 16.5 x 6.5 inch
weight empty	10.5 kg - 23 lbs





EX50- anti-panic doors hydraulic door-opener

used to open single or multi-points anti-panic doors.



EX50



Designed to open single or multi-points anti-panic doors the EX50 is placed at the horizontal on a door. Once in place, activate the tool with the contactor on the service handle or with a remote control until the jack retracts and squashes the door. The NPB pry bar is used to ease the EX50 plates positioning.
(*tool not self-sufficient needs to be used with a hydraulic power unit or manual pump).



EX50- anti-panic doors hydraulic door-opener

TECHNICAL CHARACTERISTICS		
anti-panic doors hydraulic door-opener	ref. EX50	
tractive effort	5 tons	
jack's stroke	252 mm - 10 inch	
retracted jack length	773.5 mm - 30.5 inch	
deployed jack length	1025 mm - 40 inch	
short angle	qty 1	
long angle	qty 1	
handle	yes	
available colours	dark grey or olive green	
dimensions	1025 x 254 x 200 mm - 40 x 10 x 8 inch	
weight	9.7 kg - 21 lbs	
pry bar	ref. NPB	
material	black treated steel	
length	370 mm - 1.5 ft	
handle diameter	Ø 20 mm - Ø 0.7 inch	
handle protection	electrical shocks' protective coating	
available colours	dark grey or olive green	
dimensions	370 x 35 mm - 14 x 1 inch	
weight	1 kg - 2.2 lbs	
PELICASE® transport case	ref. VDT/EX50 (LIBERVIT BLACKline)	ref. VLD/EX50 (LIBERVIT DEFENSE)
available colours	black	olive green
silica gel cartridge	qty 1, used to prevent humidity	qty 1, used to prevent humidity
case dimensions	969 x 406 x 155 mm - 38 x 16 x 6 inch	1011 x 419 x 170 mm - 40 x 16 x 7 inch
weight empty	7.8 kg - 17 lbs	8.9 kg - 23 lbs
weight loaded	19.5 kg - 43 lbs	20.6 kg - 45 lbs

on option -EX50 jack's accessories



protection cap
colour
dimensions
weight

ref. BF
noir
40 mm x Ø60 mm - 1.5 inch x Ø2.5 inch
60 g - 0.13 lbs

The short angle must always be placed by the anti-panic door lock.



If positioning the EX50 gets difficult use the NPB pry bar to create a gap.



valise de transport PELICASE 

LIBERVIT



LIBERVIT



LASER RANGEFINDER & TAPE MEASURE

The laser rangefinder and the tape measure are useful to measure distances before positioning the DOOR RAIDER or the HR7.

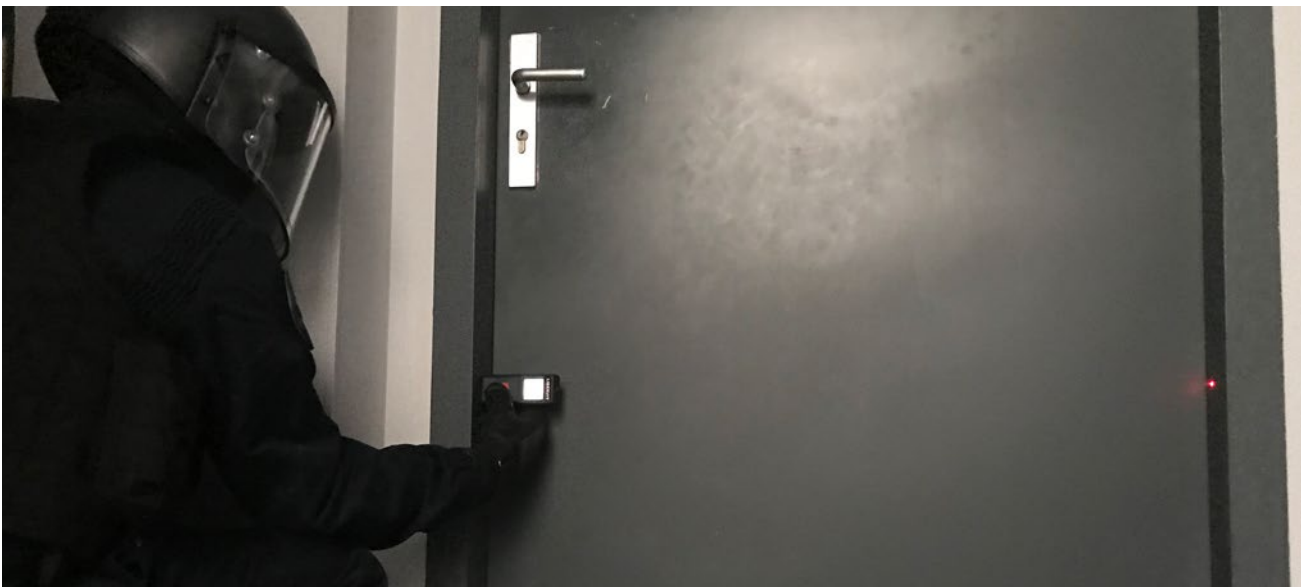


LASER METER 30 - L3M



The LASER METER 30 laser rangefinder is useful to calculate the right distance between the ground and the door upper frame or to measure the door's length before setting the VE70L or the HR7 door-openers.

The L3M self-locking magnetic tape measure is useful to calculate the right distance between the ground and the door upper frame or to measure the door's length before setting the VE70L or the HR7 door-openers.



TECHNICAL CHARACTERISTICS	
laser rangefinder	ref. LASER METER 30
batteries	2 AAA batteries included
measure accuracy	Typ. +/- 1/16-in (1.5 mm- 0.06 inch)
range	up to 30 m - 100 ft.
protection sleeve	yes
weight	100 g - 0.22 lbs
dimensions	40 x 100 x 25 mm - 1.5 x 4 x 1 inch

TECHNICAL CHARACTERISTICS	
Tape measure	ref. L3M
Tape length	3 m - 10 ft
Tape width	16 mm - 0.5 inch
magnetic	yes
self-locking	yes
weight	11 g - 0.5 oz
dimensions	70 x 60 x 30 mm - 3 x 2.5 x 1 inch

ENTRY HYDRAULIC UNITS

all our hydraulic door-openers are compatible with our hoses and hydraulic units and manual pumps.





DP55 hydraulic units



DP71 hydraulic units



HR7 hydraulic units



VE70-L hydraulic units



EX50 hydraulic units

OP55 hydraulic units' selection

the OP55 hydraulic door-opener can be power supplied by all LIBERVIT hydraulic units and manual pumps.





SNIPER I

the SNIPER I unit includes:

- a B.A.S. superlight hydraulic unit (integrated 1.5 m hydraulic hose)
- a DP55 door-opener with its ST/DP55 transport bag
- a DP55 support adaptable on B.A.S. superlight power unit



OPH55

the OPH55 unit includes:

- a GHP hydraulic unit (integrated 1.5 m hydraulic hose)
- a DP55 door-opener with its ST/DP55 transport bag



OP55P

the OP55P unit includes:

- a POWERCASE hydraulic unit (integrated 3 m hydraulic hose)
- a DP55 door-opener with its ST/DP55 transport bag



OPM55

the OPM55 includes:

- a PML10 hydraulic manual pump
- a LF3 hydraulic hose (3 m)
- a NPB pry bar
- a DP55 door-opener (without its transport bag)
- a soft back-rack EBP/OPM55

OP71 hydraulic units' selection

the OP71 hydraulic door-opener can be power supplied by all LIBERVIT hydraulic units and manual pumps.





SNIPER II

The SNIPER II unit includes:

- a B.A.S. superlight hydraulic unit (integrated 1.5 m hydraulic hose)
- a DP71 door-opener with its ST/DP7 transport bag
- a DP71 support adaptable on B.A.S. superlight power unit



OPH71

the OPH71 unit includes:

- a GHP hydraulic unit (integrated 1.5 m hydraulic hose)
- a DP71 door-opener with its ST/DP7 transport bag



OPP71

the OPP71 unit includes:

- a POWERCASE hydraulic unit (integrated 3 m hydraulic hose)
- a DP71 door-opener with its ST/DP7 transport bag



OPM71

the OPM71 includes:

- a PML10 hydraulic manual pump
- a LF3 hydraulic hose (3 m)
- a NPB pry bar
- a DP71 door-opener (without its transport bag)
- a soft back-rack EBP/OPM71





LIBERVIT
G.H.P MOBILE POWER UNIT

LIBERVIT

HR7 hydraulic units' selection

the HR7 hydraulic door-opener can be power supplied by all LIBERVIT hydraulic units and manual pumps.





BHR7

The BHR7 unit includes:

- a B.A.S. superlight hydraulic unit (integrated 1.5 m hydraulic hose)
- a LF3 hydraulic hose (3 m)
- a complete HR7 door-opener in PELICASE



GHR7

the GHR7 unit includes:

- a GHP hydraulic unit (integrated 1.5 m hydraulic hose)
- a LF3 hydraulic hose (3 m)
- a complete HR7 door-opener in PELICASE



PHR7

the PHR7 unit includes:

- a POWERCASE hydraulic unit (integrated 3 m hydraulic hose)
- a complete HR7 door-opener in PELICASE



MHR7

the MHR7 hydraulic unit includes:

- a PML10 hydraulic manual pump
- a LF3 hydraulic hose (3 m)
- a complete HR7 door-opener in PELICASE

VE70-L hydraulic units' selection

The VE70-L high performance hydraulic door-opener can be power supplied by all LIBERVIT hydraulic units and manual pumps.





DOOR RAIDER light B

the DOOR RAIDER light B unit includes:

- a B.A.S. superlight hydraulic unit and its PELICASE (integrated 1.5 m hydraulic hose)
- a VE70-L jack & 3 extensions in their PELICASE DOOR RAIDER light



DOOR RAIDER light

the DOOR RAIDER light unit includes:

- a GHP hydraulic unit and its PELICASE (integrated 1.5 m hydraulic hose)
- a VE70-L jack & 3 extensions in their PELICASE



DOOR RAIDER light P

DOOR RAIDER light P:

the DOOR RAIDER light P unit includes:

- a POWERCASE hydraulic unit (integrated 3 m hydraulic hose)
- a VE70-L jack & 3 extensions in their PELICASE



DOOR RAIDER light M

DOOR RAIDER light M

the DOOR RAIDER light M unit includes:

- a PML30 hydraulic pump and its PELICASE
- a LF3 hydraulic hose (3 m)
- a VE70-L jack & 3 extensions in their PELICASE

EX50 hydraulic units' selection

the EX50 anti-panic door opener can be power supplied by all LIBERVIT hydraulic units and manual pumps.





BEX50

the BEX50 unit includes:

- a B.A.S. superlight hydraulic unit (integrated 1.5 m hydraulic hose) and its PELICASE
- a LF3 hydraulic hose (3 m)
- an EX50 hydraulic door opener, its pry bar and their PELICASE



GEX50

the GEX50 unit includes:

- a GHP hydraulic unit (integrated 1.5 m hydraulic hose) and its PELICASE
- a LF3 hydraulic hose (3 m)
- an EX50 hydraulic door opener, its pry bar and their PELICASE



PEX50

the PEX50 unit includes:

- a POWERCASE hydraulic unit (integrated 3 m hydraulic hose)
- an EX50 hydraulic door opener, its pry bar and their PELICASE



MEX50

the MEX50 unit includes:

- a PML30 hydraulic pump and its PELICASE
- a LF3 hydraulic hose (3 m)
- an EX50 hydraulic door opener, its pry bar and their PELICASE

HYDRAULIC POWER UNITS & MANUAL PUMPS

all our tools can be power supplied by all our hydraulic units and manual pumps.





GHP: portable hydraulic unit



POWERCASE: hydraulic unit in a case



B.A.S. superlight: portable and connected light hydraulic unit



PML10 & PML30: hydraulic manual pumps

B.A.S. superlight – hydraulic power unit

power supply all the LIBERVIT hydraulic tools from the LIBERVIT BLACKline and LIBERVIT DEFENSE ranges.



B.A.S. superlight



Compact, light and silent the B.A.S. hydraulic unit power supplies all the LIBERVIT hydraulic tools from the LIBERVIT BLACKline and LIBERVIT DEFENSE ranges.

Transportable on the back, with a shoulder strap or by hand you will be able to evolve in difficult access area while keeping your hands free.

A dashboard protected by a removable flap provides access to the start-up switch as well as to the battery charge status indicator.

The B.A.S hydraulic power unit has an integrated 1.5 m hydraulic hose and a 48V lithium battery offering 120 minutes of working time to a tool.

Functions and accessories within the next pages.



B.A.S. superlight hydraulic power unit

TECHNICAL CHARACTERISTICS

hydraulic power unit	ref. B.A.S. superlight
service pressure	300 bar
oil tank capacity	1.24 L - 42 fl oz
outer-shell	Cordura® soft shell (1100 Den)
closing	YKK® water repellent zipper
IP index	IP64
shoulder and chest straps buckles	x3 emergency release buckles
available colours	dark grey or olive green or camouflage
carrying means	back / handheld / shoulder strap
molle® system	yes
left side removable pocket	qty 1, ref. PA1/BSL
lifting ring	at the unit back to lift, air lift, lever, hang
use & storage	T360° multi-position technology
integrated hydraulic hose	1.50 m - 5 ft
hydraulic hose casing	yes
decibels	48 dB*
power supply	qty 1, LIBERVIT 48 V Lithium battery, ref. BI-ION48
autonomy	120 minutes of tool action**
battery removal	manually
battery maximum charging time	35 min (100% charge)
battery charge indicator	yes
auto-shutdown	yes, after 4 hours non-use (auto-shutdown adjustable & can be disabled)
LIBERVIT automatic charger	qty 1, ref. CB-ION48
convertible hand radio remote	qty 1, with molle® system sleeve
power supply cable length	3 m - 10 ft
radio remote range	30 m - 99 ft
connected unit	LIBERVIT Connected app on Google Play & Huawei store (deactivatable Bluetooth)
dimensions	280 x 230 x 390 mm - 11 x 9 x 15.5 inch
weight	11 kg - 24 lbs***

* test done at a 5 m distance

** test done at a 150 bar average pressure

*** ready to use without portage means

ACCESSORIES

interactive radio remote wristband	on option, ref. BRI
cross body shoulder strap	on option, ref. BAS/EPM
peripherals transport bag	on option, ref. STP/BSL
extreme conditions sleeve	on option, ref. HCE/BSL
spare removable pocket	on option, right side (R) : ref. PA2/BSL
spare lithium battery	on option, ref. BI-ION48
magnetic kit	on option, ref. KM/BSL
hook kit	on option, ref. KC/BSL
transport bag	on option, ref. VDT/BSL

On option, the B.A.S. superlight unit, its charger and radio remote can be packed in a solid case.

PELICASE® transport case	ref. VDT/BSL (LIBERVIT BLACKline)	ref. VLD/BSL (LIBERVIT DEFENSE)
available colours	black	olive green
telescopic handle	yes	yes
wheels	yes	yes
dimensions	630 x 510 x 300 mm - 25 x 20 x 12 inch	795 x 518 x 310 mm - 31 x 20 x 12 inch
weight empty	10.5 kg - 23 lbs	13 kg - 28 lbs
case loaded	24.5 kg - 54 lbs	27 kg - 59 lbs

B.A.S. superlight hydraulic power unit can supply :

The B.A.S. superlight power unit supplies all the tools from the LIBERVIT BLACKline and LIBERVIT DEFENSE ranges. We designed this unit with in mind the fact that we wanted it to power supply all our latest tools but also all the LIBERVIT tools manufactured these last 20 years.



spreaders



cutters



jacks



EX50 door opener



OP series
door opener



mid range HR7
door opener



VE70-L
high performance
door opener

LIBERVIT

TECHNICAL DATAS



A dashboard protected by a removable flap provides access to the start-up switch as well as to the battery charge status indicator.



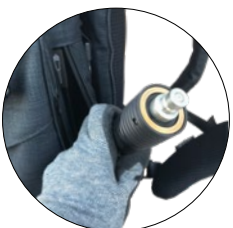
The B.A.S. hydraulic power unit has a 48V lithium battery, giving an average autonomy of 120 minutes in tool action.



The hydraulic power unit is supplied as standard with a hand remote control, wired / wireless convertible, usable at 3 m distance in wired configuration and at 30m distance in wireless configuration.



The use of wired or radio remote control makes it possible, in the event of a trapped door or an armed assailant, to activate the hydraulic power unit while maintaining an essential safety distance. The remote control has a battery charge status indicator. They have long-lasting rechargeable batteries and can be recharged by simply connecting the remote control to the hydraulic unit without requiring a mains supply.



A 1.5 meters hydraulic hose is permanently stored in a dedicated compartment, just open it to extract the hose. The compartment has 2 openings giving you the choice to extract it from left or right.



To protect the battery and increase its autonomy we have fitted the B.A.S superlight unit with an auto-shutdown technology. The auto-shutdown kicks in after 4 hours of non-use. The auto-shutdown can be disabled through the LIBERVIT app and it can be set to a 1 to 8 hours period.



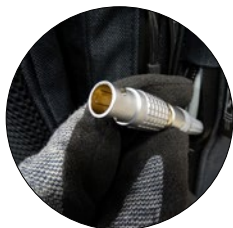
With the T360 technology developed by LIBERVIT, the B.A.S. superlight hydraulic power unit can be used and stored in all positions, while retaining all of its performance.



Removable and washable the B.A.S superlight hydraulic power unit' outer shell is made of multi-layered padded Cordura (1100 Den) and is IP64. It is also fitted with water-repellent zippers and anti-noise partitions.



Foldable a lifting ring at the back of the unit offers a 100% reliable anchor point to lift, air lift and hang..



The integrated wire charges: the lithium battery via the charger as well as the remote-control battery.



The B.A.S superlight hydraulic power unit does not exceed the 45 dB at 5 m.




The LIBERVIT connected application available on the Google Play & Huawei stores will enable you to diagnose your hydraulic power unit and will also indicate: the battery charge status, the number of charges / discharges already done, the oil level, the engine running status, the radio remotes functioning as well as the battery charger, the tool's effort produced and many more useful information.

BI-ION 48 battery's ballistic tests report for operators' safety



As we aim to provide quality and safety for our users, we've conducted some ballistic impacts tests on our LIBERVIT B.A.S. superlight powered by a Lithium battery ref: BI-ION48. This exhaustive report will give you information on the pros & cons of our batteries. We will keep working hard to improve our equipment and maintain the quality you already know as well as increasing as much as possible our users' safety.

Ballistic impacts tests executed with the arms and calibers listed below:



HK G36
Fusil automatique

223 Remington
Cal. 5.56 OTAN



HK417
Fusil automatique

308 Winchester
Cal. 7.62 OTAN

OBJECTIVE :

Point out potentially dangerous risks, momentary and/or persistent: (explosion/projection/flammable).

TESTS :

1- Automatic rifle HK417: cal 7.62 OTAN, 308 Winchester, 50 m/164 ft shot :

Instant reaction: white smoke, sparks.

Delayed reaction: after +/- 15 mn, no flame, no flow.

Battery visual aspect: perforated from side to side.

2- Automatic rifle M4: cal 5.56 OTAN, 223 Remington, 50 m/164 ft shot :

Instant reaction: white smoke, no sparks.

Delayed reaction: after +/- 15 mn, no flame, no flow.

Battery visual aspect: perforated from side to side.

3- automatic rifle HK G36: cal 5.56 OTAN, 223 Remington and HK417: cal 7.62 OTAN, 308 Winchester 5 m shot:

Instant reaction: white smoke, no sparks.

Delayed reaction: after +/- 15mn, : no flame, no flow

Battery visual aspect: perforated from side to side



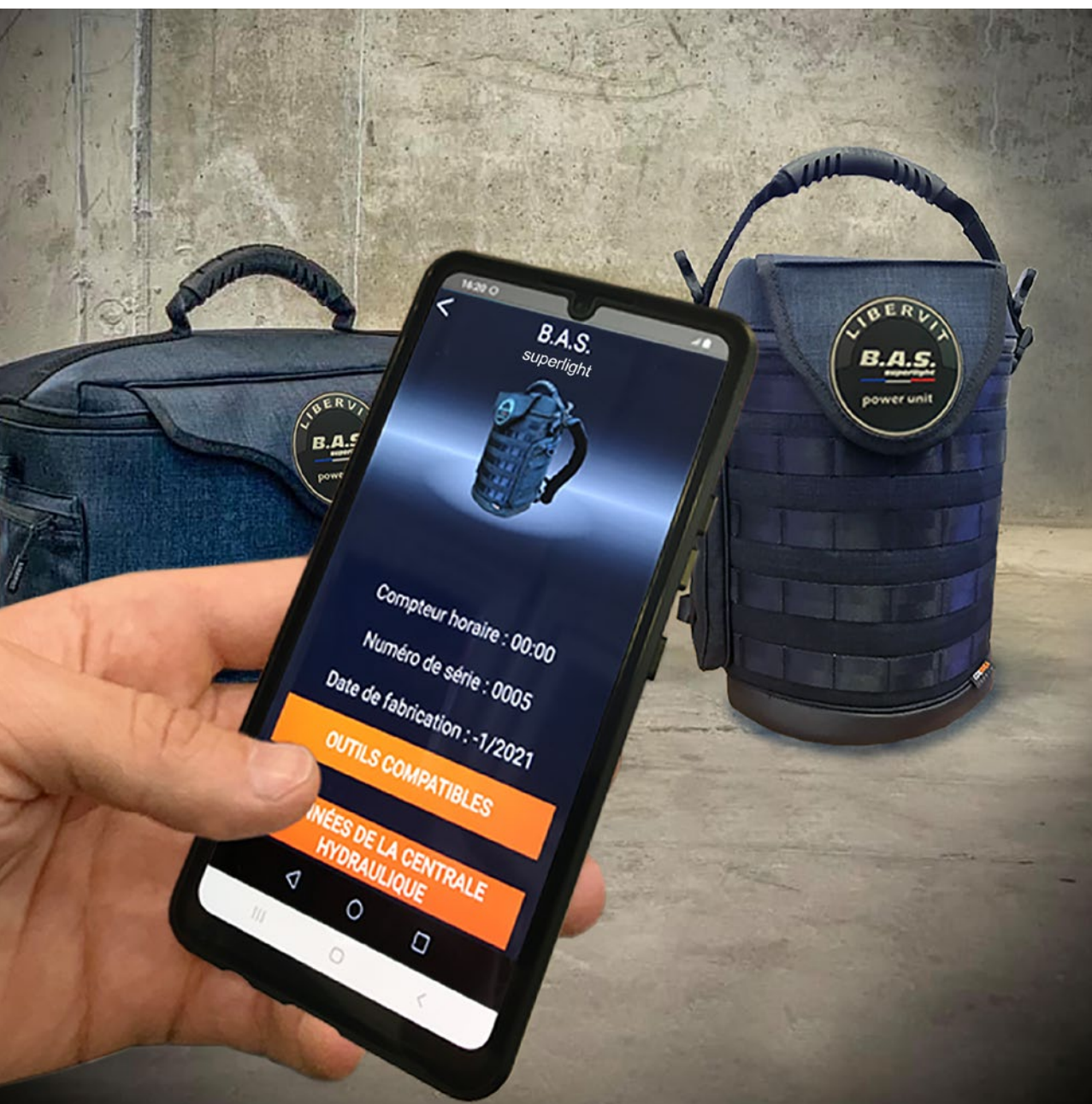
CONCLUSION :

The different ballistic tests executed gave us the opportunity to find out the damages and their consequences done to a LIBERVIT BI-ION48 battery when shot at. All the batteries have been perforated from side to side generating white smoke but no flame and no flow and no explosion has been witnessed.

THE USE OF LIBERVIT POWER UNITS IS EXPLOSION AND BURST RISK FREE UNLIKE EQUIPMENTS USING AIR COMPRESSED BOTTLES.

LIBERVIT Connected

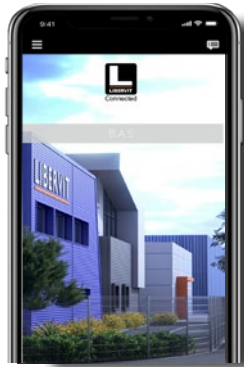
complete hydraulic power unit diagnosis via the LIBERVIT connected app.





Bluetooth

LIBERVIT Connected



To ease as much as possible our units' preventive maintenance, the B.A.S. superlight unit is delivered in series with a receiving and transmitting data system that all users can access on their smart phone to perform a complete diagnosis of their equipment. The Application LIBERVIT connected can be downloaded from the Google or Huawei store.

- The diagnostic indicates:
- The battery charge status
- The hydraulic oil level
- The engine condition
- The hydraulic pressure
- The radio remotes condition
- The battery charger condition
- The tool's effort (in use with the unit)
- And much more

You will be able to send an email directly from your phone to our technical department with the diagnosis. Our technicians will be able to read the data and act accordingly if a maintenance or repair is needed and help you if it is possible through our Hotline.

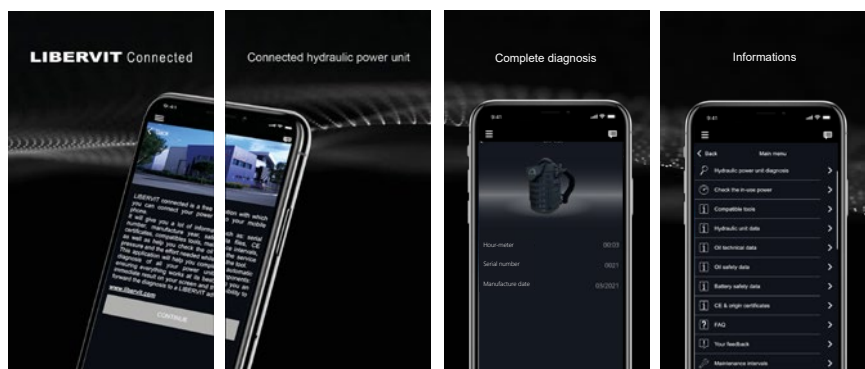


> AFTER SALES SERVICE : aftersales@libervit.com



AFTER-SALES
TOLL FREE

0 805 385 123





LIBERVIT



INTERACTIVE RADIO REMOTE WRISTBAND

on option, the interactive radio remote wristband activates the B.A.S. superlight hydraulic power unit from a distance.





BRI

The interactive radio remote wristband activates the B.A.S.superlight hydraulic power unit from a distance (maximum range: 30 m), the tool's effort in action in real time is also visible on the screen.

Its waterproof (IP64) touch screen indicates the radio signal, the battery level (10h autonomy in use) , the date and time. The wristband also benefits from a red LED (added light - ON or OFF) and a USB-C port to charge it.

You can check whether the auto-shutdown is activated or not.

Activate or disable the auto-shutdown from the LIBERVIT Connected App.

TECHNICAL CHARACTERISTICS

interactive radio remote wristband	ref. BRI
radio communication	works with LIBERVIT B.A.S. & B.A.S. superlight power units a range of 30 m
informations	real time tool's effort in % radio signal level battery level (interactive radio remote wristband + power unit) ASD (Unit Auto-shutdown) activated / disabled hours/date
functions	unit activation visualization of the tool's power used in % red LED (ON/OFF) USB-C port to charge the BRI
screen lighting	high and low screen brightness
battery	LiPo 3.7 V - autonomie 10h
waterproof	yes, IP64
wristband	50mm adjustable strap with Velcro
dimensions	90 x 30 mm - 3.5 x 1 inch
weight	80 g - 3 oz

B.A.S. superlight power unit's accessories

on option are available some accessories for the
B.A.S. superlight





CROSS BODY SHOULDER STRAP

Ref: BAS/EPM

The cross body shoulder strap fits on the power unit in place of the shoulder pads with safety buckle for quick ejection and a securing harness for light door openers (available colours : dark grey or olive green or camouflage).



RIGHT SIDE REMOVABLE POCKET

Ref: PAZ/BSL

Right spare side removable pocket to fit on the B.A.S. superlight power unit body (available colours : dark grey or olive green or camouflage).



PERIPHERALS TRANSPORT BAG

Ref: STP/BSL

The B.A.S. superlight peripherals can be protected and stored in a transport bag: handle, shoulder straps, strap, backrest, battery charger, radio remotes and an extra battery (available colours : dark grey or olive green or camouflage).



MAGNETIC KIT

Ref: KM/BSL

With the magnetic kit you can free yourself from the unit weight and plate it against any metallic surface.



HOOK KIT

Ref: KC/BSL

To hang the B.A.S. superlight unit when it cannot be left on the floor.



EXTREME CONDITION SLEEVE

Ref: HCE/BSL

It will protect your B.A.S. superlight unit from extreme weather conditions such as heavy rain, sandstorm, etc delivered in a pouch adaptable on the molle system or by carabiner.



PELICASE® TRANSPORT CASE

Ref: VDT/BSL (LIBERVIT BLACKline) or ref: VDT/BSL (LIBERVIT Défense)

(available colours : black or olive green)

The B.A.S. superlight unit, its battery charger and the radio remotes can be packed in a in a waterproof case. The VDT/BAS is fitted with a high density black foam in which an imprint of the tool has been made to keep it secure during transport or storage.

We use the PELICASE® brand for its quality and reliability. Our cases all meet the military and air transport norms, have wheels and a foldable handle.

GHP- hydraulic power unit

this suitcase unit powers all the LIBERVIT BLACKline and LIBERVIT DEFENSE ranges' hydraulic tools.



GHP



hand remote control



power cable



foot pedal remote control



The GHP hydroelectric power unit is designed as a backpack for easier transportation, giving you the freedom of movements to progress in harsh environment. The power unit is equipped with a Lithium battery that can be changed manually in a couple of seconds; it is also equipped with a battery charge indicator flashing light : replace / charge battery. The GHP hydraulic power unit can power supply all LIBERVIT BLACKline & LIBERVIT DEFENSE ranges hydraulic tools. Both radio remotes can be used as a wireless remote (30m range) or as a wired command control unit (5m range).



GHP- hydraulic power unit

TECHNICAL CHARACTERISTICS

hydraulic power unit	ref. GHP
service pressure	300 bar
tank capacity	1.7 L - 60 fl oz
outer shell	polyester fibres protective hood on solid frame
available colours	dark grey or olive green
transport	back / handheld
integrated hose	1.50 m - 5 ft
decibel	66 dB*
power supply	batterie Lithium 12 Volts, réf. BLFP
autonomy	45 minutes of tool action
battery removal	manual
maximum charge time	90 min for 100% charge
charge indicator	yes
battery charger	yes
convertible hand radio remote	qty 1, with sleeve
foot pedal radio remote	qty 1
power cable length	5 m - 16.5 ft
radio remotes range	30 m - 99 ft
dimensions	500 x 240 x 260 mm - 19 x 9.5 x 10 inch
weight	16 kg - 35 lbs**
* tests done at a 5 m/ 16.5 ft distance	
** ready to use	

ACCESSORIES

The GHP unit, its battery charger and the radio remotes can be packed in a waterproof case. The VDT1 case is lined with high-density black foam in which an imprint of the tool has been made to guarantee its perfect fit and an optimal protection at all time. We chose the PELICASE brand as a guarantee for both quality & long life. All our cases meet military & air transport standards. They are equipped with wheels and a removable carrying handle. The VDT1 is an option when buying a GHP unit.

PELICASE® transport case	réf. VDT1 (LIBERVIT BLACKline)	réf. VLD/GHP (LIBERVIT DEFENSE)
available colours	black	olive green
telescopic handle	yes	yes
wheels	yes	yes
dimensions	800 x 520 x 300 mm - 31 x 21 x 11 inch	795 x 518 x 310 mm - 31 x 20 x 12 inch
weight empty	12.5 kg - 27.5 lbs	13 kg - 28 lbs
weight loaded	32.5 kg - 72 lbs	33 kg - 73 lbs





POWERCASE- hydraulic power unit

this suitcase unit powers all the LIBERVIT BLACKline and LIBERVIT DEFENSE ranges' hydraulic tools.



POWERCASE



hand remote control



power cable



foot pedal remote control



At the request of some special intervention groups, we have transformed a PELICASE into a power unit. All the necessary components to supply our LIBERVIT BLACKline or LIBERVIT DEFENSE ranges hydraulic tools have been fitted and assembled inside the case. Its performance are identical to that of the GHP power unit. In the case are found: the hydraulic power unit, a 3 m long hydraulic hose, a lithium battery and a battery charger.

On its front is a quick coupling to connect the hydraulic hose or the battery charger.



POWERCASE- hydraulic power unit

TECHNICAL CHARACTERISTICS

hydraulic power unit	ref. POWERCASE
service pressure	300 bar
tank capacity	1.7 L - 60 fl oz
outer shell	PELICASE® transport case
telescopic handle	yes, removable
transport wheels	yes
available colours	black (LIBERVIT BLACKline) or olive green (LIBERVIT DEFENSE)
transport	by hand
hydraulic hose	in case, 3 m - 9.8 ft , réf. LF3
decibel	60 dB*
power supply	12V lithium battery, réf. BLFP
autonomy	45 minutes of tool action
battery removal	manuel
maximum charge time	90 min for 100% charge
charge indicator	yes
battery charger	yes
convertible hand radio remote	qty 1, with sleeve
foot pedal radio remote	qty 1
power cable length	5 m - 16.5 ft
radio remotes range	30 m - 99 ft
dimensions	559 x 351 x 229 mm - 22 x 14 x 9 inch
weight	24 kg - 53 lbs**

* test done at a 5 m/ 16.5 ft distance

** readu to use



LIBERVIT BLACKline hydraulic hose, ref. LF3



LIBERVIT DEFENSE, hydraulic hose, ref. LF3






BLFP BATTERY BALISTIC TEST REPORT



As we aim to provide quality and safety for our users, we've conducted some ballistic impacts tests on our LIBERVIT GHP, POWERCASE, Mpower hydraulic power units & the Thermic power unit powered by a BLFP Lithium LiFePO4 battery. This exhaustive report will give you informations on the pros & cons of our batteries. We will keep working hard to improve our equipment and maintain the quality you already know as well as increasing as much as possible our users' safety.

Ballistic impacts tests executed with the arms and calibers listed below:

 <p>HK417 Automatic rifle</p> <p>308 Winchester Cal. 7.62 OTAN</p>	 <p>M4 Automatic rifle</p> <p>223 Remington Cal. 5.56 OTAN</p>	 <p>MOLOT Semi-automatic rifle</p> <p>BRENNEKE Cal. 12 OTAN</p>
---	---	--

OBJECTIVE

Point out potentially dangerous risks, momentary and/or persistent: (explosion/projection/flamable).

TESTS :

1- Automatic rifle HK417: cal 7.62 OTAN, 308 Winchester, 50m (164ft) shot:

Instant reaction: white smoke, sparks.

Delayed reaction: after +/- 15 mn, gradually flammable.

Battery visual aspect: perforated from side to side, short circuit up to a slow and constant burning.

2- Automatic rifle M4: cal 5.56 OTAN, 223 Remington, 50m (164ft) shot:

Instant reaction: white smoke, no sparks.

Delayed reaction: after +/- 15 mn, not flammable.

Battery visual aspect: perforated from side to side.

3- Semi-automatic rifle MOLOT: cal 12, Brenneke, 15m (50ft) shot:

Instant reaction: white smoke, no sparks.

Delayed reaction: after +/- 15 mn, not flammable.

Battery visual aspect: perforated from side to side.



CONCLUSION :

The different ballistic tests executed gave us the opportunity to find out the damages and their consequences done to a LIBERVIT BLFP LiFePO4 battery when shot at. All the batteries have been perforated from side to side sometime causing one or many short circuits. These started a fire from the sparks after about 30 minutes, however no explosion has been witnessed.

**LIBERVIT POWER UNITS USING LIBERVIT LiFePO4 LITHIUM BATTERIES
ARE EXPLOSION AND BURST RISK FREE.**



LIBERVIT
MOBILE POWER UNIT

R21



DANGER AMIANTE
ACCES INTERDIT
PROTECTION OBLIGATOIRE

PZE

POWERCASE

LIBERVIT

KIT ENERGY LITHIUM

with the KIT LITHIUM ENERGY ref: KE/L a spare battery is always charged for your GHP or POWERCASE.





KIT ENERGY LITHIUM

The KIT ENERGY LITHIUM ref: KE/L is an accessory for the GHP unit or POWERCASE. It is an automatic charger with an integrated system that keeps the battery charged at all times without damaging it.

The KIT ENERGY LITHIUM, ref: KE/L includes: a charger with a supply cable and a 12V 16 Ah lithium battery.



Lithium battery, ref. BLFP



installation on the charger



charger battery receptacle

TECHNICAL CHARACTERISTICS

kit energy lithium	ref. KE/L
kit energy lithium KE/L weight	5.95 kg - 13 lbs

includes :

battery charger	ref. SC/L
for lithium batteries	ref: BLFP
power supply / electric cable	90 - 260VAC 50-60 Hz
charge time	90 min
charger dimensions	350 x 120 mm - 2 x 5 inch
charger weight	3.6 kg - 8 lbs

Lithium BLFP Ferro-Phosphate battery (LiFePO4)	ref. BLFP
voltage	12V
watt-hours	192 Wh
standard charge current	16Ah
battery dimensions	180 x 76 x 165 mm - 7 x 3 x 6.5 inch
battery weight	2.35 kg - 5 lbs

PML10 & PML30 – hydraulic manual pumps

the use of the hydraulic manual pump is often for special situations.



PML10 & PML30



The PML10 & the PML30 hydraulic manual pumps power supply all of the LIBERVIT tools of the LIBERVIT BLACKline & LIBERVIT DEFENSE ranges.

The PML30 hydraulic manual pump also offers the possibility to deploy two tools one after the other.

The use of the hydraulic manual pumps is often for special situations such as: explosive atmosphere, complete silent required, narrow space, etc.

Thanks to a watertight tank they can be used or store in any position. They benefit from a fast approach discharge and a second discharge for the work phase.

A LIBERVIT hydraulic hose is needed to connect the hydraulic manual pumps to the tools.

On option, the PML10 and PML30 hydraulic manual pumps can be packed in a PELICASE case or on a soft back-rack or in a transport sleeve.

TECHNICAL CHARACTERISTICS

	PML10	PML30
hydraulic manual pump	PML10	PML30
body material	black powder coated aluminium	black powder coated aluminium
colours available	dark grey or olive green	dark grey or olive green
service pressure	300 bar	300 bar
oil tank capacity	1.7 litres - 60 fl oz	2.4 litres - 85 fl oz
integrated manometer	yes	yes
manometer protection grid	included, ref. TM665	included, ref. TM665
fast discharge	yes, two stages pump	yes, two stages pump
molette fonctions	PUMP ou RELEASE fonctions	PUMP ou RELEASE fonctions
oil level viewport	yes	yes
oil filler plug	tank draining or filing	tank draining or filing
dimensions	450 x 160 x 200 mm - 18 x 6 x 8 inch	630 x 160 x 200 mm - 25 x 6 x 8 inch
weight	9.2 kg - 20 lbs	10.6 kg - 23 lbs
protection cap	included	included

ACCESSORIES

hydraulic hose	on option, ref. LF3 ou LFB ou LF10	on option, ref. LF3 ou LFB ou LF10
transport sleeve	on option, ref. ST/PML10	on option, ref. ST/PML30
backpack rack	on option, ref. CLS/PML10	on option, ref. CLS/PML30
transport case	on option, ref. VDT/PML10	on option, ref. VDT/PML30



PRIVE
ENTREE INTERDITE



P12G

CIV
84



LIBERVIT HYDRAULIC HOSES

the LIBERVIT hydraulic hoses power supply all the LIBERVIT BLACKline and LIBERVIT DEFENSE ranges hydraulic tools.



LF3 - LF6 - LF10



The LIBERVIT hydraulic hoses power supply all the LIBERVIT BLACKline and LIBERVIT DEFENSE ranges hydraulic tools. These hoses benefit from the patented "Hydrolec II" technology allowing both the HYDRAULIC & the ELECTRICAL in a single connection.

Two hydraulic hoses can be connected together to have a longer one.
e.g: two LF3 (3m each) will give the same length than the LF6: 6m.
Each hydraulic hose is delivered filled with oil and ready to use.



connection B.A.S. superlight power unit



connection GHP power unit



connection POWERCASE power unit



connection PML30 hydraulic manual pump

TECHNICAL CHARACTERISTICS

	ref. LF3	ref. LF6	ref. LF10
hydraulic hose			
length	3 m - 10 ft	6 m - 20 ft	10 m - 33 ft
weight	2.2 kg - 4.8 lbs	3.5 kg - 7.7 lbs	5.1 kg - 11 lbs
protection cap	on option, ref. BF & BM	on option, ref. BF & BM	on option, ref. BF & BM

compatible with all LIBERVIT hydraulic tools.

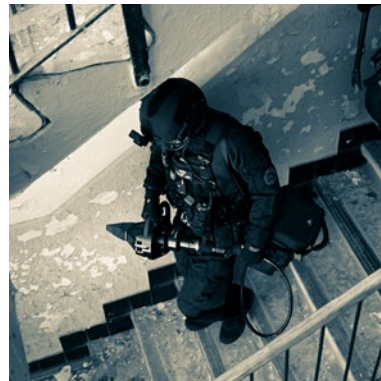
SPREADERS & CUTTERS

spreaders are used to push apart bars, open metal curtains and many other uses requiring strength. Cutters are used to cut padlocks, bars, chains, cable, etc.





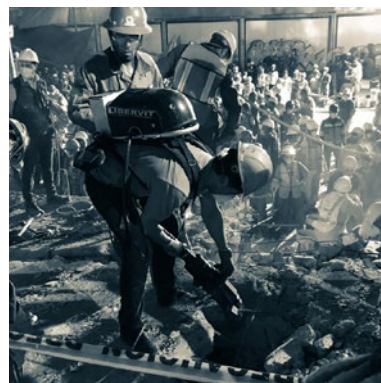
E300 and E500 spreaders



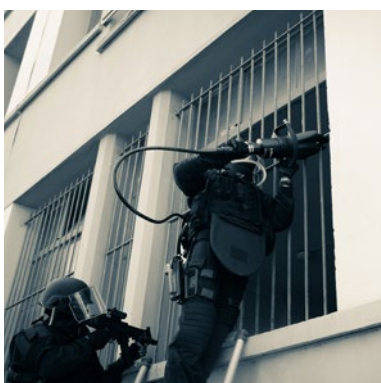
FAST35 spreader



LD series cutters



BP series cutter



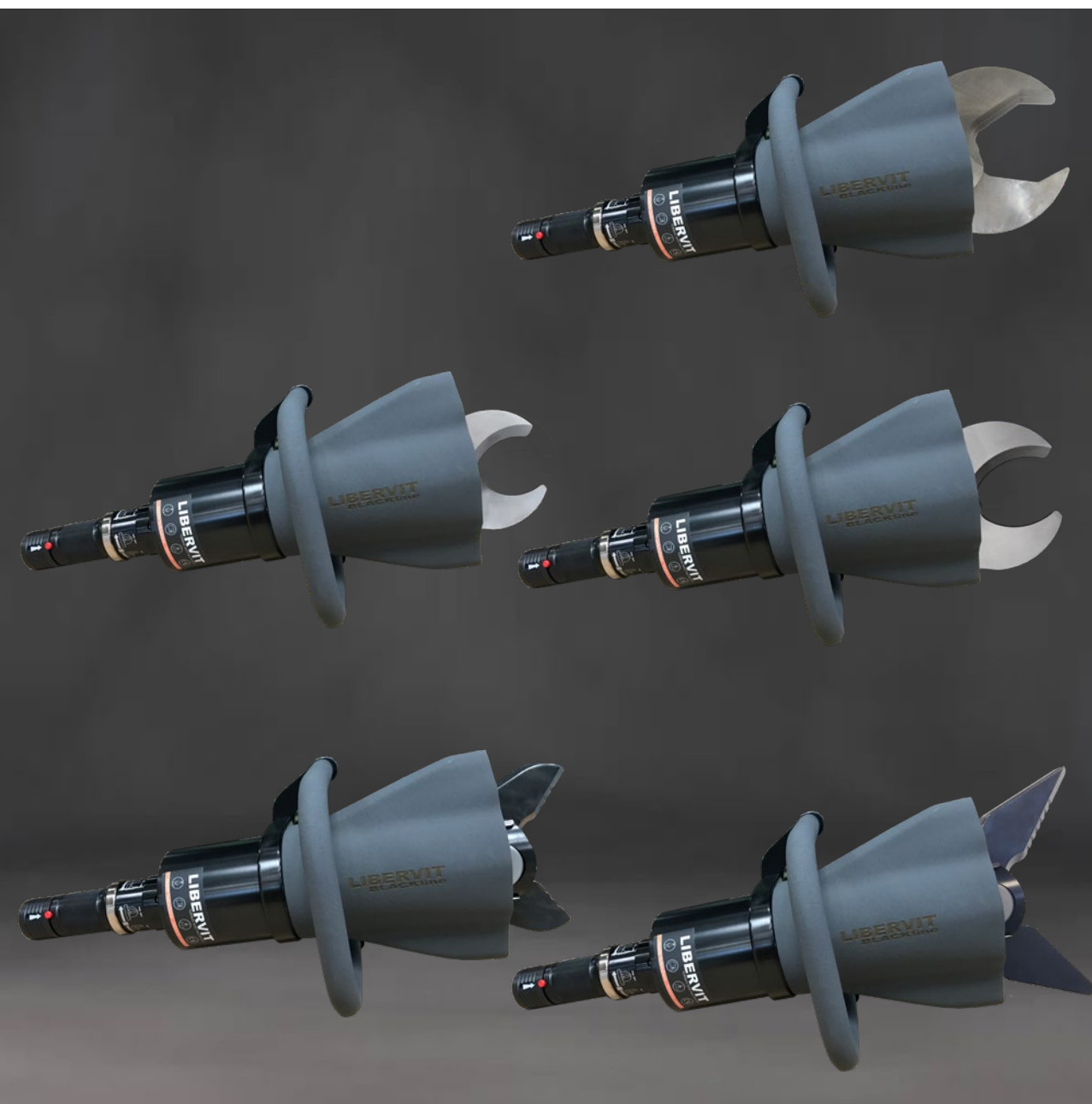
U shape cutter



Mutltool28 multi-function manual tool

LIBERVIT HYDRAULIC CUTTERS

to cut: fences, barbed-wires, padlocks, metal curtains, large dimension profiles, tubes and for crashed vehicle extrication (automobile, rail, air,).



LD, BP & U-shape cutters



All the LIBERVIT cutters are designed to cut fences, barbed-wires, padlocks, metal curtains, large dimension profiles, tubes and for crashed vehicle extrication (automobile, rail, air,).

The U shape cutters are mainly aimed at cutting large profiles.

On option, a PELICASE transport case adapted to your chosen cutter available in black or olive green as well as a soft CORDURA fabric back-rack.



long & short straight blades



long & short curved blades



U shape blades



LIBERVIT HYDRAULIC CUTTERS

TECHNICAL CHARACTERISTICS

long straight blades cutter	ref. LD2
available colours	dark grey-black or olive green-black
maximum blades opening	250 mm - 10 inch
maximum thrust	400 kN
maximum cutting capacity	Ø 22 mm - Ø 0.8 inch
transport handle	qty 1
service handle	yes
dimensions	675 x 300 x 205 mm - 26 x 12 x 8 inch
weight	13.3 kg - 2 st



short straight blades cutter	ref. LD2C
available colours	dark grey-black or olive green-black
maximum blades opening	167 mm - 6 inch
maximum thrust	400 kN
maximum cutting capacity	Ø 22 mm - Ø 0.8 inch
transport handle	qty 1
service handle	yes
dimensions	616 x 243 x 224 mm - 24 x 9.5 x 9 inch
weight	12.6 kg - 1.9 st



long curved blades cutter	ref. BP2
available colours	dark grey-black or olive green-black
maximum blades opening	140 mm - 6 inch
maximum thrust	400 kN
maximum cutting capacity	Ø 22 mm - Ø 0.8 inch
transport handle	qté 1
service handle	oui
dimensions	660 x 250 x 220 mm - 26 x 10 x 9 inch
weight	13.4 kg - 2.1 st



short curved blades cutter	ref. BP2C
available colours	dark grey-black or olive green-black
maximum blades opening	80 mm - 3 inch
maximum thrust	400 kN
maximum cutting capacity	Ø 22 mm - Ø 0.8 inch
transport handle	qty 1
service handle	yes
dimensions	630 x 250 x 220 mm - 25 x 10 x 9 inch
weight	12.9 kg - 2 st



U shape blades cutter	ref. U400
available colours	dark grey-black or olive green-black
maximum blades opening	165 mm - 6.5 inch
maximum thrust	400 kN
maximum cutting capacity	Ø 22 mm - Ø 0.8 inch
transport handle	qty 1
service handle	oui
dimensions	688 x 250 x 220 mm - 27 x 10 x 8.5 inch
weight	14.2 kg - 2.2 st



HYDRAULIC CUTTERS' ACCESSORIES

TECHNICAL CHARACTERISTICS	LIBERVIT BLACKline range	LIBERVIT DEFENSE range
PELICASE® transport case Telescopic handle wheels dimensions weight empty soft back-rack colours protection cap	on option, black ref. VDT/LD2 yes yes 795 x 518 x 310 mm - 31 x 21 x 12 inch 13 kg - 28.5 lbs on option, ref. CLS/LD2 black on option, black, ref. BF	on option, olive green, ref. VLD/LD2 yes yes 795 x 518 x 310 mm - 31 x 21 x 12 inch 13 kg - 28.5 lbs on option, ref. CLS/LD2 olive green on option, olive green, ref. BF
PELICASE® transport case Telescopic handle wheels dimensions weight empty soft back-rack colours protection cap	on option, black ref. VDT/LD2C yes yes 795 x 518 x 310 mm - 31 x 21 x 12 inch 13 kg - 28.5 lbs on option, ref. CLS/LD2C black on option, black, ref. BF	on option, olive green, ref. VLD/LD2C yes yes 795 x 518 x 310 mm - 31 x 21 x 12 inch 13 kg - 28.5 lbs on option, ref. CLS/LD2C olive green on option, olive green, ref. BF
PELICASE® transport case Telescopic handle wheels dimensions weight empty soft back-rack colours protection cap	on option, black ref. VDT/BP2 yes yes 795 x 518 x 310 mm - 31 x 21 x 12 inch 13 kg - 28.5 lbs on option, ref. CLS/BP2 black on option, black, ref. BF	on option, olive green, ref. VLD/BP2 yes yes 795 x 518 x 310 mm - 31 x 21 x 12 inch 13 kg - 28.5 lbs on option, ref. CLS/BP2 olive green on option, olive green, ref. BF
PELICASE® transport case Telescopic handle wheels dimensions weight empty soft back-rack colours protection cap	on option, black ref. VDT/BP2C yes yes 795 x 518 x 310 mm - 31 x 21 x 12 inch 13 kg - 28.5 lbs on option, ref. CLS/BP2C black on option, black, ref. BF	on option, olive green, ref. VLD/BP2C yes yes 795 x 518 x 310 mm - 31 x 21 x 12 inch 13 kg - 28.5 lbs on option, ref. CLS/BP2C olive green on option, olive green, ref. BF
PELICASE® transport case Telescopic handle wheels dimensions weight empty soft back-rack colours protection cap	on option, black ref. VDT/U400 yes yes 795 x 518 x 310 mm - 31 x 21 x 12 inch 13 kg - 28.5 lbs on option, ref. CLS/U400 black on option, black, ref. BF	on option, olive green, ref. VLD/U400 yes yes 795 x 518 x 310 mm - 31 x 21 x 12 inch 13 kg - 28.5 lbs on option, ref. CLS/U400 olive green on option, olive green, ref. BF

The LIBERVIT cutters can be packed in a waterproof case. Each case is lined with high-density black foam in which an imprint of the tool has been made to guarantee its perfect fit and an optimal protection at all times. We chose the PELICASE brand as a guarantee for both quality & long life. All our cases meet military & air transport standards. They are equipped with wheels and a removable carrying handle. The LIBERVIT cutters can be adapted to our soft back-racks made of CORDURA. They have adjustable large shoulder straps and an abdominal one to offer comfort and stability while carrying them.





3

LIBERVIT HYDRAULIC SPREADERS

spreaders are used to push open bars, open metal shutters, some inward opening doors as well as many other applications requiring the use of strength.



E300 - E500 - FAST35



The E300, E500 & FAST35 spreaders are used to push open bars, open metal shutters, some inward opening doors as well as many other applications requiring the use of strength.

To work the spreader needs a LIBERVIT unit or manual pump and a hydraulic hose to connect them together.

E300 spreader - 84 kN - short arms- max opening 329 mm

E500 spreader - 50 kN-long arms- max opening 500 mm

FAST35 spreader- 60 kN - short arms - max opening 355 mm

The FAST35 has a 2-positions selector: automatic return or controlled return.

On option, a PELICASE transport case adapted to the spreader you selected is available in black or in olive green as well as a soft CORDURA® fabric back-rack.



LIBERVIT HYDRAULIC SPREADERS

TECHNICAL CHARACTERISTICS

short arms spreader	ref. E300
available colours	dark-grey-black or olive green-black
maximum arms' opening	329 mm - 13 inch
maximum thrust	84 kN
transport handle	qty 1
service handle	yes
dimensions	560 x 270 x 170 mm - 22 x 11 x 7 inch
weight	13 kg - 2 st



long arms spreader	ref. E500
available colours	dark-grey-black or olive green-black
wheel	no
maximum arms' opening	500 mm - 19.5 inch
maximum thrust	50 kN
transport handle	qty 1
service handle	yes
dimensions	680 x 270 x 170 mm - 27 x 11 x 7 inch
poids	15.2 kg - 2.3 st



short arms spreader	réf. FAST35
available colours	dark-grey-black or olive green-black
maximum arms' opening	355 mm - 14 inch
maximum thrust	60 kN
2 positions selector	automatic return or controlled return position
transport handle	qty 1
service handle	yes
dimensions	585 x 250 x 270 m
weight	10.68 kg - 1.6 st



HYDRAULIC SPREADERS' ACCESSORIES

TECHNICAL CHARACTERISTICS	LIBERVIT BLACKline range	LIBERVIT Défense range
PELICASE® transport case colours telescopic handle wheels dimensions weight empty soft back-rack colours protection cap	on option, ref. VDT/E300 black yes yes 795 x 518 x 310 mm - 31 x 21 x 12 inch 13 kg - 2 st on option, ref. CLS/E300 black on option, black, ref. BF	on option, ref. VLD/E300 olive green yes yes 795 x 518 x 310 mm - 31 x 21 x 12 inch 13 kg - 2 st on option, ref. CLS/E300 olive green on option, olive green, ref. BF
PELICASE® transport case colours telescopic handle wheels dimensions weight empty soft back-rack colours protection cap	on option, ref. VDT/E500 black yes yes 795 x 518 x 310 mm - 31 x 21 x 12 inch 13 kg - 2 st on option, ref. CLS/E500 black on option, black, ref. BF	on option, ref. VLD/E500 olive green yes yes 795 x 518 x 310 mm - 31 x 21 x 12 inch 13 kg - 2 st on option, ref. CLS/E500 olive green on option, olive green, ref. BF
PELICASE® transport case colours telescopic handle wheels dimensions weight empty soft back-rack colours protection cap	on option, ref. VDT/FAST35 black yes yes 795 x 518 x 310 mm - 31 x 21 x 12 inch 13 kg - 2 st on option, ref. CLS/FAST35 black on option, black, ref. BF	on option, ref. VLD/FAST35 olive green yes yes 795 x 518 x 310 mm - 31 x 21 x 12 inch 13 kg - 2 st on option, ref. CLS/FAST35 olive green on option, olive green, ref. BF

The LIBERVIT spreaders can be packed in a waterproof case. Each case is lined with high-density black foam in which an imprint of the tool has been made to guarantee its perfect fit and an optimal protection at all times. We chose the PELICASE® brand as a guarantee for both quality & long life. All our cases meet military & air transport standards. They are equipped with wheels and a removable carrying handle. The LIBERVIT spreaders can be adapted to our soft back-racks made of CORDURA®. They have adjustable large shoulder straps and an abdominal one to offer comfort and stability while carrying them.



LIBERVIT



MULTI-FUNCTIONS TOOL

The Multitool28 is the only tool able to combine in one tool a cutter and a spreader.





MULTITOOL28

The Multitool28 is able to combine in one tool a cutter and a spreader. The integrated manual pump has a fast approach discharge as well as a work discharge phase. Light and manoeuvrable the Multitool28 can be used in any position and is ideal for situation requiring silence or in an explosive atmosphere. Its spreader function will help you open metal shutters, push open bars, some inward opening doors, etc.



MULTI-FUNCTIONS TOOL

TECHNICAL CHARACTERISTICS

multi-functions tool	ref. Multitool28
maximum cutting thrust	280 kN
maximum spreading thrust	41 kN
maximum spreading capacity	200 mm - 8 inch
any position use	yes
transport handle	qty 1
pump lever	360° orientation
nozzles and blades	360° orientation
two stages pump	yes
integrated manual pump	yes
transport bag	yes
delivered in transport bag	yes, ref. ST/M28
available colours	dark grey-black or olive green-black
dimensions	630 x 230 x 190 mm - 25 x 9 x 8 inch
weight	10 kg - 22 lbs

on option soft back-rack	ref. CLS/M28
available colours	dark grey or olive green

	LIBERVIT BLACKline range	LIBERVIT DEFENSE range
PELICASE® transport case	option, ref. VDT/M28	on option, ref. VLD/M28
colour	black	olive green
telescopic handle	yes	yes
wheels	yes	yes
dimensions	795 x 518 x 310 mm - 31 x 21 x 12 inch	795 x 518 x 310 mm - 31 x 21 x 12 inch
weight empty	13 kg - 2 st	13 kg - 2 st



on option a transport bag, ref. ST/M28



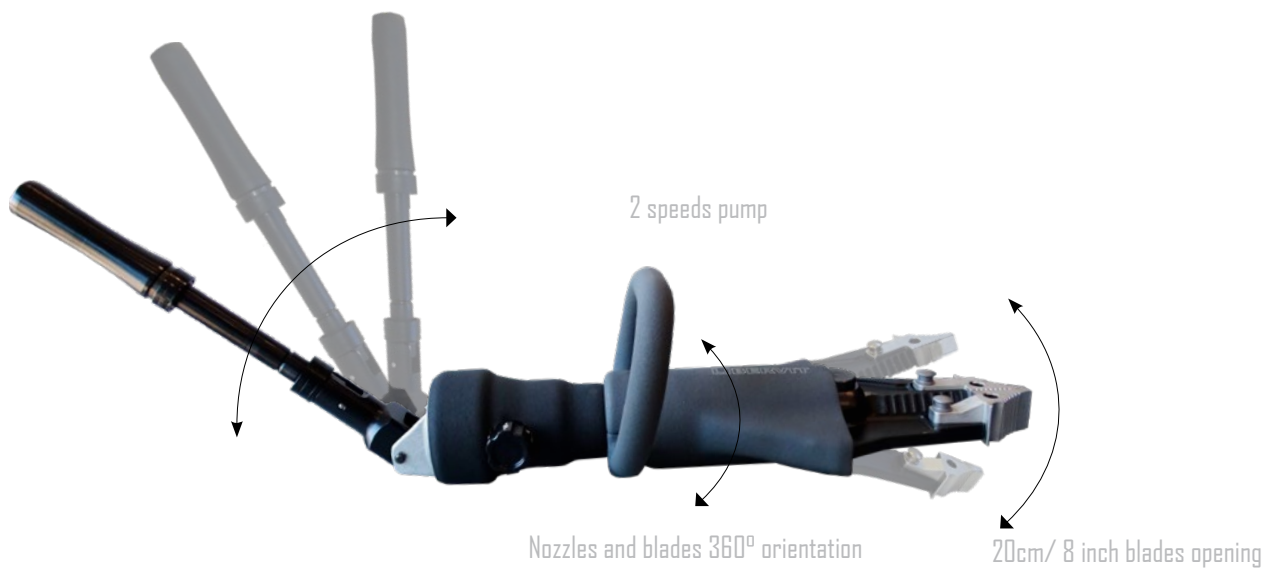
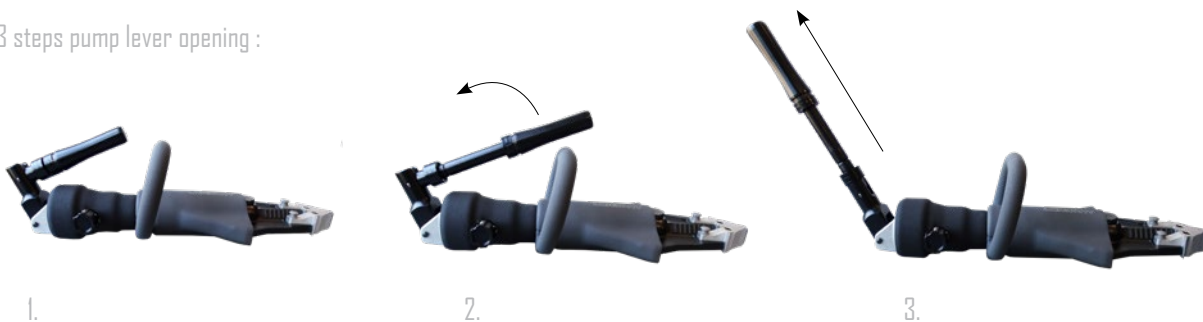
on option,
transport case PELICASE®

LIBERVIT



SPREADER/ CUTTER

3 steps pump lever opening :





126

LIBERVIT
Ⓜ Ⓡ Ⓢ Ⓣ



HEAVY-DUTY WORK UNIT





LB30 heavy-duty work unit



LB35 heavy-duty work unit



LB40 heavy-duty work unit

HEAVY-DUTY WORK UNIT

these heavy-duty work units are composed of a B.A.S. hydraulic unit, a cutter, a spreader and a jack.



LB30 - LB35 - LB40



The LB30, LB35 and LB40 heavy-duty work units can be used for: cutting fences, barbed-wires, padlocks, chains, cables, large dimension profiles, tubes, etc. and for air and rail rescue, rescue clearing, to push open bars, to lift metal shutters or push heavy objects to create a passage. They can also help opening inward-opening doors and have many more applications to help rescue victims.



heavy-duty work unit : réf. LB30

B.A.S. (1.65 L tank) heavy-duty work unit hydraulic power unit
 LF6 hydraulic hose
 BP2 hydraulic cutter (long curved blades)
 E300 hydraulic spreader
 VT500.10/5 telescopic hydraulic jack and its R169 extension
 3 back-pack rack : CLS/BP2 - CLS/E300 - CLS/VT500.R



heavy-duty work unit : réf. LB35

B.A.S. (1.65 L tank) heavy-duty work unit hydraulic power unit
 LF6 hydraulic hose
 LD2 hydraulic cutter (long straight blades)
 E300 hydraulic spreader
 VT500.10/5 telescopic hydraulic jack and its R169 extension
 3 back-pack rack: CLS/LD2 - CLS/E300 - CLS/VT500.R



heavy-duty work unit : réf. LB40

B.A.S. (1.65 L tank) heavy-duty work unit hydraulic power unit
 LF6 hydraulic hose
 U400 hydraulic cutter (U shape blades)
 E300 hydraulic spreader
 VT500.10/5 telescopic hydraulic jack and its R169 extension
 3 back-pack rack: CLS/U400 - CLS/E300 - CLS/VT500.R

HEAVY-DUTY WORK UNIT



B.A.S. power unit for heavy duty work

hydraulic power unit	ref. B.A.S.
service pressure	300 bar
hydraulic tools power supply	two alternatly
integrated hydraulic hose	1.50 m - 5 ft
power supply	qty 1, LIBERVIT 48 V Lithium battery, ref. BI-10N48
battery autonomy	120 mn of action tool
maximum charge time	35 min (100% charge)
convertible hand radio remote	qty 1, with molle® system sleeve
power cable length	3 m - 10 ft
radio remote range	30 m - 99 ft
connected unit	LIBERVIT Connected app on Google Play & Huawei store
dimensions	350 x 300 x 410 mm -14 x 12 x 16 inch
weight	12 kg - 26 lbs



LFB hydraulic hose

hydraulic hose	ref. LFB
length	6 m - 20 ft
weight	3.5 kg - 7.7 lbs



E300 hydraulic spreader

short arms spreader	ref. E300
maximum arms' opening	329 mm - 13 inch
maximum thrust	84 kN
dimensions	560 x 270 x 170 mm - 22 x 11 x 7 inch
weight	13 kg - 2 st



VT500.10/5 hydraulic telescopic jack

hydraulic jack	ref. VT500.10/5
first stage thrust	100 kN
second stage thrust	49 kN
jack's stroke	380 mm - 1.2 ft
dimensions	495 x 78 x 240 mm - 19.5 x 3 x 10 inch
weight	10 kg - 22 lbs
short extension	ref. R169
dimensions	169 x 64 mm - 6.6 x 2.5 inch
weight	780 g - 1.7 lbs



3 back-pack racks for spreader E300 - jack VT500.10/5 - custer BP2 or LD2 or U400

soft back-pack rack E300	ref. CLS/E300
soft back-pack rack VT500.10/5	ref. CLS/VT500.R
soft back-pack rack BP2	ref. CLS/BP2
soft back-pack rack LD2	ref. CLS/LD2
soft back-pack rack U400	ref. CLS/U400



TECHNICAL CHARACTERISTICS

long straight blades cutter	ref. LD2
available colours	dark grey-black / olive green-black
maximum blades opening	250 mm - 10 inch
maximum thrust	400 kN
maximum cutting capacity	Ø 22 mm - Ø 0.8 inch
transport handle	qty 1
service handle	yes
dimensions	675 x 300 x 205 mm - 26 x 12 x 8 inch
weight	13.3 kg - 2 st



long curved blades cutter	ref. BP2
available colours	dark grey-black / olive green-black
maximum blades opening	140 mm - 6 inch
maximum thrust	400 kN
maximum cutting capacity	Ø 22 mm - Ø 0.8 inch
transport handle	qty 1
service handle	oui
dimensions	660 x 250 x 220 mm - 26 x 10 x 9 inch
weight	13.4 kg - 2.1 st



U shape blades cutter	ref. U400
available colours	dark grey-black / olive green-black
maximum blades opening	165 mm - 6.5 inch
maximum thrust	400 kN
maximum cutting capacity	Ø 22 mm - Ø 0.8 inch barre d'acier
transport handle	qty 1
service handle	oui
dimensions	688 x 250 x 220 mm - 27 x 10 x 8.5 inch
weight	14.2 kg - 2.2 st

JACKS AND LIFTING BAGS





VT500.10/5 : large telescopic hydraulic jack



VT380.10/5 : small telescopic hydraulic jack



ADVI : ram support



lifting bags

VT500.10/5 TELESCOPIC JACK

used to rescue victims trapped under heavy loads, they can also function as a spreader to push open bars or lift metal shutters.



VT500.10/5



The VT500.10/5 is two stages telescopic jack. The hydraulic jack is mainly used to help rescue victims trapped under heavy loads, e.g: structures collapse. It also has other applications such as spreading bars, lifting metal shutters, pushing heavy objects to create a passage. The integrated check-valves to the service handle insure that even under a heavy load at maximum pressure the jack can still be disconnected from the hydraulic hose without risk. To work the jack must be used with a LIBERVIT hydraulic power unit or manual pump. A hydraulic hose is needed to connect the tool to the hydraulic power unit or hydraulic manual pump.



on option, R169 & R455 extensions

TECHNICAL CHARACTERISTICS

hydraulic jack	VT500.10/5
colours available	dark grey or olive green
first stage thrust	100 kN
second stage thrust	49 kN
retracted length	495 mm - 1.6 ft
jack's stroke	380 mm - 1.2 ft
deployed length	875 mm - 2.8 ft
dimensions	495 x 78 x 240 mm - 19.5 x 3 x 10 inch
weight	10 kg - 22 lbs

ACCESSORIES

small extension	on option, ref. R169
dimensions	169 x 64 mm - 6.6 x 2.5 inch
weight	780 g - 1.7 lbs
large extension	on option, ref. R455
dimensions	455 x 64 mm - 18 x 2.5 inch
weight	2.3 kg - 5 lbs
protection cap	on option, ref. BF
soft back-rack	on option, ref. CLS/VT500
PELICASE transport case	on option, ref. VDT/VT500

VT380.10/5 TELESCOPIC JACK

used to rescue victims trapped under heavy loads, they can also function as a spreader to push open bars or lift metal shutters.



VT380.10/5



The VT380.10/5s is two stages telescopic jack. The hydraulic jack is mainly used to help rescue victims trapped under heavy loads, e.g: structures collapse. It also has other applications such as spreading bars, lifting metal shutters, pushing heavy objects to create a passage. The integrated check-valves to the service handle insure that even under a heavy load at maximum pressure the jack can still be disconnected from the hydraulic hose without risk. To work the jack must be used with a LIBERVIT hydraulic power unit or hydraulic manual pump. A hydraulic hose is needed to connect the tool to the hydraulic power unit or hydraulic manual pump.



on option, R169 & R455 extensions

TECHNICAL CHARACTERISTICS

hydraulic jack	VT380.10/5
colours available	dark grey or olive green
first stage thrust	100 kN
second stage thrust	49 kN
retracted length	380 mm - 1.2 ft
jack's stroke	141 mm - 5.5 inch
deployed length	521 mm - 1.7 ft
dimensions	380 x 78 x 240 mm - 15 x 3 x 10 inch
weight	6.5 kg - 14 lbs

ACCESSORIES

small extension	on option, ref. R169
dimensions	169 x 64 mm - 6.6 x 2.5 inch
weight	780 g - 1.7 lbs
large extension	on option, ref. R455
dimensions	455 x 64 mm - 18 x 2.5 inch
weight	2.3 kg - 5 lbs
protection cap	on option, ref. BF
soft back-rack	on option, ref. CLS/VT380
PELICASE transport case	on option, ref. VDT/VT380



LIBERVIT



LIFTING BAGS

they can be used to lift heavy object or as an entry aid when positioned between a window's protection bars and the glass window.





lifting bags

We have selected a series of lifting bags designed to lift heavy objects from our Orange line aimed at rescuers.

After many trials both privately and in collaboration with some Intervention groups we have found some use in breaching technics.

For example, positioned between a window's protection bars and the glass window and actioned from a distance for safety they can push open the window. This helps when the window is too close to the protection bars and a cutter cannot fit, using the lifting bag to push open the window creates room to use the cutter on the bars.

The lifting bags are used with a compressed air bottle and a 200 bar regulator.



lifting bags
8 bar



hoses
(5m)



dead hand control
2 exits

or

dead hand control
1 exit



hose (5m)
and regulator



compressed air bottle

reference	dimensions			weight	service pressure	air	lifting capacity (max.)	lifting height (max.)	max. lifting capacity to a max. height
	length	wide	high						
	(cm) / [inch]	(cm) / [inch]	(cm) / [inch]	(kg) / [lbs]	(bar) / [psi]	[l] / [cu./ft.]	[t] / [US Tons]	(cm) / [inch]	[t] / [US Tons]
SFB-K 2/17	45 / 18"	45 / 18"	2.5 / 1"	5.1 / 11.3	8 / 116	200 / 7.1	13.5 / 14.9	17 / 6.7	2.3 / 2.5
SFB-K 7/17	55 / 22"	55 / 22"	2.5 / 1"	7.3 / 16	8 / 116	224 / 7.9	21.1 / 23.2	17 / 6.7	6.7 / 7.4
SFB-K 10/17	61 / 24"	61 / 24"	2.5 / 1"	9.2 / 20	8 / 116	350 / 12.4	25.2 / 27.7	17 / 6.7	9.5 / 10.5
SFB-K 20/17	78 / 31"	78 / 31"	2.5 / 1"	14.5 / 32	8 / 116	520 / 18.4	44.6 / 49.1	17 / 6.7	20.2 / 22.2
SFB-K 33/17	91.5 / 36"	91.5 / 36"	2.5 / 1"	20.6 / 45	8 / 116	810 / 28.6	64 / 70.4	17 / 6.7	33.3 / 36.6

TACTICAL TRAINING DOORS





TTdoor training door with base



TTdoor S training door fixed to a wall

TTDOOR-S - TACTICAL TRAINING DOOR

the tactical training door helps to train to the use of different tools and technics to open doors.





TTdoor-S

When training personals to entry technics the TTdoor-S helps realizing all kind of manoeuvres with any tool such as battering rams, lever, DOOR RAIDER light, OP55, HR7, etc.

It is fixed to a wall and simulate manoeuvres you could encounter in real operations. Three lock simulators with calibrated wooden fuses reproduce the resistance from single lock or multi-points lock doors.

The central lock simulator can be fitted with 3 fuses to reproduce the progressive opening of a door close to reality.

The TTdoor-S has been designed to give the intervention groups the opportunity to train and practice their entry-technics to develop the reflexes to succeed in their operations.

An identification plate can be engraved on demand.



TECHNICAL CHARACTERISTICS

TTdoor S training door fixed to a wall	ref. TTdoor-S
structure	steel
hinges	qty 4
lock simulator	qty 3
steel door's frame	8 mm - 0.32 inch thick
steel frame's anchor point	qty 17
material	grey powder coated steel
identification plate	customization on demand
dimensions	2220 x 1200 x 200 mm - 7.5 x 3 x 7 ft
weight	301 kg - 47.5 st
aluminium hit pad	yes, qty 3, ref. TTpad
dimensions	250 x 250 x 15 mm - 10 x 10 x 0.5 inch
weight	2.6 kg - 6 lbs
100 fuses box	qty 2, ref. LIB15/70
monkey wrench	qty 2, Ø 22 mm - 0.9 inch

TTdoor - TACTICAL TRAINING DOOR

the tactical training door helps to train to the use of different tools and technics to open doors.





TTdoor

When training personals to entry technics the TTdoor helps realizing all kind of manoeuvres with any tool such as battering rams, lever, DOOR RAIDER light, OP55, HR7, etc Three lock simulators with calibrated wooden fuses reproduce the resistance from single lock or multi-points lock doors.

The central lock simulator can be fitted with 3 fuses to reproduce the progressive opening of a door close to reality.

The TTdoor has been designed to give the intervention groups the opportunity to train and practice their entry-technics to develop the reflexes to succeed in their operations. Removable, the TTdoor can be transported by its lifting rings and used on different locations. An identification plate can be engraved on demand.



TECHNICAL CHARACTERISTICS

training door on base	ref. TTdoor
structure	removable, steel
assembling	class 10.9 high resistance screws
lifting rings	qty 2
hinges	qty 4
lock simulator	qty 3
door base	steel, 8 mm - 0.32 inch thick
material	grey powder coated steel
personalized identification plate	personalized engraving on demand
dimensions	2280 x 980 x 2119 mm - 7.5 x 3 x 7 ft
poids	454 kg - 72 st
aluminium hit pad	delivered with the TTdoor, ref. TTpad
quantity	3 TTpad aluminium hit pad
dimensions	250 x 250 x 15 mm - 10 x 10 x 0.5 inch
weight	2.6 kg - 6 lbs
100 fuses box	delivered with the TTdoor, qty 2, ref. LIB15/70
monkey wrench	qty 2, Ø 22 mm - 0.9 inch



LIBERVIT



LIBERVIT

LIBERVIT



LIBERVIT

EXOTHERMIC CUTTING UNITS





THERMIC POWER exothermic cutting unit



TECH TORCH® manual cutting torch



extinguisher

THERMIC POWER exothermic cutting unit

through high temperature fusion (5000°C) cuts,
in a short time frame, all kind of material.



THERMIC POWER



The LIBERVIT thermic power unit cuts, through high temperature fusion (5000°C), in a short time frame, all kind of material.

The rods are lit when stricken on the striking plate which is powered by a small battery.

Depending on the diameter of the electrode chosen, it will be possible to cut the same thickness of material more or less quickly. The larger the diameter, the faster the cutting speed will be, but the greater the oxygen consumption will be. Cutting progress can be paused and resumed at any time. The Thermic Power unit is fitted with auto-closing couplings as well as safety check-valves.

It also comes with G3 glasses offering comfort and security to LIBERVIT thermic torch users. The G3 glasses automatic dimout filters switch automatically from a quite light tint (2.5) to a darker one in between 4 to 8 depending on the selected category.

The G3 glasses with their dimout filters offer comfort and safety to users operating the LIBERVIT thermic cutting dorsal unit.



THERMIC POWER

exothermic cutting unit

TECHNICAL CHARACTERISTICS

Thermic cutting unit	ref. Thermic Power
1 oxygen bottle	6L/200 bar
2 oxygen bottle sleeves	transport harness, dark grey, Cordura® fabric, IP64
available colours	dark grey or olive green
transport	back or by hand
oxygen bottle manometer	yes
3 check-valves	qty 1
4 regulator	qty 1, 200/6 bar
5 hose feed	qty 1, 165 mm - 6.5 inch
6 torch	yes
7 torch extension	qty 1, length 400 mm / 18 inch
8 ground striking plate	qty 1, (ref. plaqueAS)
9 hand striking plate	qty 1, (ref. plaqueAM)
10 battery charger	yes
11 ignition unit	qty 1, In PELICASE case
12V lithium battery	qty 1, ref. BLFP in THERMIC POWER case
autonomy	ignites about 10 cutting rods
battery removal	manual
battery indicator	yes
charge time	1h30
12 cutting rods	qty 10, Ø 6.3 x 480 mm - Ø 1/4 x 19 inch
13 cutting rods	qty 10, Ø 9.5 x 480 mm - Ø 3/8 x 19 inch
14 spring collets	qty 3, x2 Ø 9.5, x1 Ø 6.3
15 protection glasses	ref. G3, with automatic dimout filters
16 breathing mask	qty 5
17 gloves	yes
18 PELICASE transport case	yes, ref. VDT/THPW
dimensions	795 x 518 x 310 mm - 31 x 21 x 12 inch
weight case empty	12 kg - 26.5 lbs
weight case loaded	37 kg - 82 lbs



hose and oxygen bottle



torch, electric cable, spring collets and torch extension



ground striking plate and electric cable



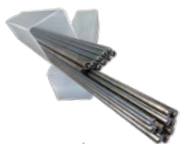
ignition unit



battery charger



hand striking plate



torches



G3 glasses with automatic dimout filters



PELICASE transport case





TEC TORCH®

manual cutting thermic torch

to quickly cut all kind of profiles. works
underwater.



TEC TORCH®



TEC Torch® combines thermal energy and mechanical erosion to quickly defeat a variety of obstacles. The TEC Torch goes through a steel sheet up to 13 mm/0.5 inch thick or a steel bar up to 19 mm/0.75 inch thick in a couple of seconds. The H300 handle has an internal electrical igniter activating instantly the cartridge. It works with 4 CR123A batteries. The cartridges provide a proprietary thermite composition for optimal cutting performance and reduced signature. Cartridges burn in excess of 3000 degrees.

(cartridges are burst free: pyrotechnic class 1.4G) the cartridges can be replaced quickly. The TEC Torch can be used underwater.

TECHNICAL CHARACTERISTICS

manual thermic torch	ref. TEC TORCH®
electric igniter handle	ref. H300
handle material	polycarbonate with embedded stainless steel fibres for EMI/RFI/ESD protection
waterproof	up to 100 m
underwater use	up to 30 m (with protection gloves)
batteries	4x CR123A
dimensions	231 mm - 9 inch
weight	338 gr - 0.75 lbs
rod cutter cartridge	ref. C111
cut	Ø 19 mm - 0.75 inch -. Steel ,Steel alloy, any hardness, stainless steel, etc.. Ø 25 mm - 1 inch. aluminium Ø 25 mm - 1 inch. Steel cable
burn time	2 secondes
weight	340 gr - 0.75 lbs
plate penetrator cartridge	ref. C211
penetration	forms a 0.375 inch (10mm) hole through 0.5 inch (12mm) thick steel, steel alloy, any hardness, stainless steels, etc.
weight	340 gr - 0.75 lbs
pyrotechnic class	1.4G UN0431
utilisation	single-use/ disposable
guarantee	1 year
shell life	3 years with proper storage

Anaf ABC6 extinguisher

the Anaf ABC6 extinguisher extinguishes most fires.



Anaf ABC 6

The Thermic Power and the Xcharge from our LIBERVIT BLACKline & LIBERVIT DEFENSE ranges are potential fire hazards' risk which gave us the idea to offer extinguishing systems solution.

The Anaf ABC 6 Extinguisher can put out most fire types : hydro-carbon, synthetic material, wood... It complies with the NF EN3 and CE European Standards.

On option, it can be delivered in its own black LIBERVIT bag, ref. HI/EXT.



TECHNICAL CHARACTERISTICS

extinguisher	ref. Anaf ABC 6
model	PS6 - H ABC
fire class	27 A - 183 B- C
extinguishing agent	ABC powder
propeller gas	nitrogen or helium nitrogen
dimensions	490 x 230 x 160 mm - 19.29 x 9.05 x 6.30 inch
weight	11 kg - 24.26 lbs
protection sleeve	ref. HI/EXT

EXPLOSIVE BREACHING





QUICK CHARGE II



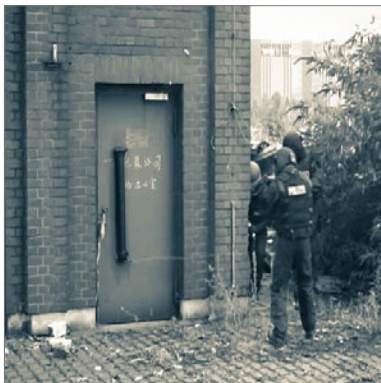
FLEX CHARGE 60



FLEX CHARGE 100



FLEX CHARGE 160



FLEX CHARGE 200



POWER HOLE IV

QUICK CHARGE II - FLEX CHARGE

The QUICK charge and FLEX charge are both used to quickly and efficiently open heavy armoured doors or for any other applications requiring quick entry.



QUICK CHARGE II



The QUICK charge II opens both inward and outward opening doors and is used with 15 and 30 grammes explosives (0.53 oz and 1.5 oz). The QUICK charge II includes: 1.Hard strip to fix the blasting charge. 2.Water bag. 3.Double sided tape to fix the charge to the object. The QUICK charge II is packaged and delivered in box of 10.



TECHNICAL CHARACTERISTICS

sleeve for explosives	ref. QUICK charge II
length	300 mm - 11.81 inch
water capacity	0.8 litres - 0.21 gallons

FLEX CHARGE 60 - 100 - 160 - 200



FLEX CHARGE 60 - 100 - 160 - 200



The new FLEX charge version is made of nylon and Velcro, these materials give it a higher resistance and flexibility.

Characteristics: FLEX charge, maximum performance, minimum charge, minimum collateral damage, easy to carry.

The system flexibility gives the users the possibility to have many different charge methods to answer unlimited needs.

Its small size and the fact that it can be carried ready to use gives it a big advantage for all tamping situations.

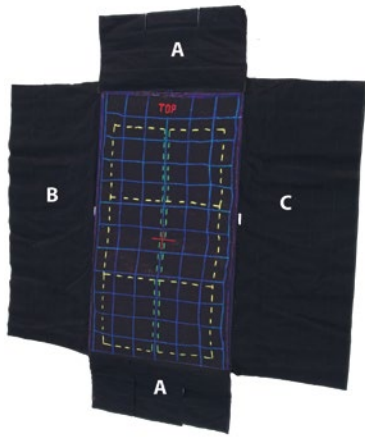
The FLEX charges are packed and delivered in pack of 10.

TECHNICAL CHARACTERISTICS

sleeve for explosives	ref. FLEX charge 60 (delivered in pack of 10 FLEX charge 60)
length	600 mm - 23.62 inch
water capacity	2.4 l - 0.63 gal
sleeve for explosives	ref. FLEX charge 100 (delivered in pack of 10 FLEX charge 100)
length	1000 mm - 39.37 inch
water capacity	4 l - 1.05 gal
sleeve for explosives	ref. FLEX charge 160 (delivered in pack of 10 FLEX charge 160)
length	1600 mm - 62.99 inch
water capacity	6.4 l - 1.69 gal
sleeve for explosives	ref. FLEX charge 200 (delivered in pack of 10 FLEX charge 200)
length	2000 mm - 78.74 inch
water capacity	8 l - 2.10 gal

POWERHOLE IV





POWERHOLE IV



The POWERHOLE IV works like the QUICK charge and FLEX charge but with a bigger impact capacity. With medium to heavy charge the POWERHOLE IV is often used to break through thick partitions, brick or concrete walls.

It comes in a durable bag and weights about 5kg. You can carry the POWERHOLE IV by its handle or attached to a backpack. POWERHOLE IV PACK : - 1 bag with 21 fixing Velcro stripes, - 6x tamping tubes (2x long - 4x short), - Telescopic bars to mount the set : 2x Telescopic tube, 1x Telescopic head, 1x Telescopic leg, 1x spare Telescopic bar. Tamping quantity : - Tube, long, approx. 4 litres, - Tube, short, approx. 2 litres.

TECHNICAL CHARACTERISTICS

explosive charge bag	ref. Powerhole IV
dimensions open	203 x 165 cm - 80 x 65 inch
dimensions closed	119 x 65 cm - 47 x 25 inch
closed bag diameter	Ø 250 mm - 10 inch
weight empty	5.2 kg - 11 lbs
weight loaded	17 kg - 38 lbs



501

POLICE

PO

Entrée



BALLISTIC SHIELDS

a selection of ballistic shields for close protection or personal protection.





BBS115



MMI



BBFI

BBS115 - BALLISTIC SHIELD





BBS115

The BBS115 is a NIJ 3A protection level supple and roll-upable ballistic shield, weighing only 5 kg - 11 lbs. It can be used for the installation and use of our hydraulic or manual breaching tools, but also for close protection operations or for your personal protection when using explosives. Rolled up, it is easily transportable and takes up little storage room. It can be opened in less than 10 seconds. This level 3A ballistic shield is the best adapted shield for emergency operations and for use in confined or difficult access areas.

TECHNICAL CHARACTERISTICS

supple ballistic shield	ref. BBS115
protection rating	NIJ 3A
rigid/ supple convertible	yes
foldable	in 9 parts
aluminium frame	qty 4 bars to assemble
transport and operation handles	yes, qty 5
colour	black
resealable	yes, with 2 velcro strips
transportable	yes
front customisation	yes, on velcro tape, front side
rolled-up dimensions	610 x 1150 mm - 2 x 4 ft
dimensions deployed	610 x 1150 cm - 2 x 4 ft
weight	5 kg - 11.02 lbs

MM1 - BALLISTIC SHIELD





MM1

The MM1 shield offers a NIJ 3A protection depending on the model. Folded in two and delivered in its own transport bag for total discretion. Supplied with rigid tubes, they can be rapidly transformed into semi-rigid shields. Upon request a personalised inscription on Velcro can be attached to the front face of the shields.

TECHNICAL CHARACTERISTICS

semi-rigid ballistic shield	ref. MM 1
removable ballistic plate	qty 3, protection rating : NIJ 3A
non removable ballistic plate	qty 2, protection rating : NIJ 3A
rigid/ supple convertible	yes
transport handle	yes
colour	black
front customisation	yes, on velcro tape, front side
transport bag	yes
dimensions deployed	115 x 60 cm - 45 x 23 inch
screen dimensions	40 x 60 cm - 15 x 24 inch
weight	10.4 kg - 23 lbs

BBF1- EVOLUTIVE FLEXIBLE BALLISTIC SHIELD





BBF1

The BBF1 is a compact flexible foldable shield. The protective area can be fitted with up to 2 plates to add protection. Easy to use and to quickly deploy in critical situations. You can attach shields with one another to have a wider protection area. The outer cover is made from highly abrasion resistant material. Sturdy elements serve as a standing support to prevent the protective shield from collapsing. The handle loops and the upper area aluminium handlebar ease transport. The outer cover can be removed for cleaning through a two-way zip fastener. On option, a removable ballistic skirt add an extra NIJ IIA protection.

TECHNICAL CHARACTERISTICS

flexible ballistic shield	ref. BBF1
dimensions	50 x 90 cm, pliable en 3 parties
weight	5 kg
protection rating	NIJ IIIA
material	Cordura® fabric & Velcro
ambidextrous holding bar	yes
harness	yes
transport handle	yes
front customisation	yes
ballistic skirt removable	yes, on option
transport bag	yes

on option, 2 plates and a skirt to increase the protection:

ballistic plate with Velcro sleeve	protection rating : NIJ III / AK47 msc
dimensions	35 x 40 cm
weight	2.5 kg
ballistic plate with Velcro sleeve	protection rating: NIJ III +AK47 + SSI09
dimensions	35 x 40 cm
weight	4 kg
ballistic plate with Velcro sleeve	protection rating: NIJ IV
dimensions	35 x 40 cm
weight	6.5 kg
removable ballistic skirt	protection rating: NIJ IIIA
dimensions	35 x 70 cm
weight	1.54 kg



MIDDLE SCHOOL ★
12345 ST. ★



D146- D493 - RADIATION DETECTORS



D146 - D493



LIBERVIT has been active in the nuclear field for many years, designing tools for nuclear decommissioning. We set up a partnership with a French company specialised in radio-active detection and asked them to develop a range of flowmeters specifically adapted to the requirements of intervention teams to cover RNBC risks.

The portable D146 detector is lightweight and easy to use, can be carried in one hand, stored in a pocket or small bag. It ensures that the operator is immediately aware of any radioactive presence or can control any risk zone. The D493 detector offers wireless remote monitoring of the dosage absorbed by one or more people operating in a risk zone. Each flowmeter gives the dosage and the dosage flow recorded by other flowmeters situated within a perimeter of 400 m - 1.3feet (in free field).

TECHNICAL CHARACTERISTICS

portable radioactivity detector	ref. D493
material	reinforced ABS plastic
radio frequency transmission	433.92 MHz
maximum radio transmission	10 mW
open field distance covered (with opened antenna)	400 m - 1.3 ft
power supply	9 Volts batteries
autonomy	20 hours
alarm	sound, vibration or light
vibration and mechanical impact resistant	yes
dimensions	120 x 65 x 22 mm - 5 x 2.5 x 1 inch
case weight including batteries	146 g - 0.33 lbs
sensor weight including cable	347 g - 0.76 lbs

TECHNICAL CHARACTERISTICS

portable radioactivity detector	ref. D146
material	reinforced ABS plastic
power supply	9 Volt batteries
autonomy	100 hours
vibration and mechanical impact resistant	yes
dimensions	120 x 65 x 22 mm - 4.72 x 2.55 x 0.86 inch
weight including batteries	146 g - 0.33 lbs

GC/120 - FLOOR BLANKET



GC/120



Made of PVC the GC/120 floor blanket creates a clean area to safely set your equipment in risky or dirty surface. Anti-soil protection.

TECHNICAL CHARACTERISTICS

floor blanket	ref. GC/120
material	grey PVC
transport handle	yes
washable	yes
dimensions	1200 x 1500 mm - 47 x 59 inch
weight	1.6 kg - 3.5 lbs

MAN10 - AIR GUN



MAN10



The MAN10 air gun is a pressure gauge to control and adjust the pneumatic pressure of all our tools in the LIBERVIT range. It can be connected to any standard air compressor.



TECHNICAL CHARACTERISTICS

air gun	ref. MAN10
maximum pressure	12 bar
gun	LIBERVIT special nozzle
manometer	yes
solid transport case	yes
case dimension	292 x 341 x 100 mm - 11.49 x 13 x 4 inch
weight case loaded	1.2 kg - 2.64 lb

COMP/8B - AIR COMPRESSOR





COMP/8B

The COMP/8B portable compressor controls and adjusts the pressure of all your hydraulic tools in our LIBERVIT BLACKline and LIBERVIT DEFENSE ranges.

TECHNICAL CHARACTERISTICS

air compressor	ref. COMP/8B (BLACK+DECKER réf. BDCINF18)
inflator nozzle	embout spécial pour outils LIBERVIT
high-pressure hose	60cm- 23 inch
big volume hose	40 cm- 16 inch
capacity	160Psi/ 11bar
power source 1	alternating current - 200- 230V
power source 2	direct current - 12V auxiliary power outlet
power source 3	18V lithium battery
automatic stop	yes
dimensions	120 × 200 × 180mm - 10 × 8 × 7 inch
weight	2 kg - 4.4 lbs
B&D accessories	not included
battery	yes, lithium, ref. BL1518 (BLACK & DECKER)
voltage	18V - 1.5 Ah
class	2
dimensions:	120 × 90 × 60mm - 5 × 3.5 × 2inch
weight	0.4kg - 0.8 lbs
battery charger	yes, ref. BDC1A-QW (BLACK & DECKER)
voltage	14.4/ 18V
power type	electric, 230- 50 Hz
max charge time	60mn
dimensions	137 × 95 × 165mm - 5 × 4 × 6.5 inch
weight	0.5 kg - 1 lbs
transport bag	yes, ref. ST/COMP/8B

MAN HYD - MANOMETER





MAN HYD

Perfect to check all the LIBERVIT hydraulic unit or manual when performing their maintenance. It is imperative to regularly check that the tools pressure reads 300 bar. The MAN HYD pressure gauge and its contactor are the only means to ensure that your LIBERVIT tools are always at their best.

The MAN HYD comes with a quick coupling manometer, a contactor, and a LIBERVIT nozzle adaptable to all the LIBERVIT hydraulic unit. It comes in a solid case.



TECHNICAL CHARACTERISTICS

manometer	ref. MAN HYD
maximum pressure	400 bar
contactor	yes
works with LIBERVIT hydraulic unit	yes
works with LIBERVIT hydraulic manual pump	yes
delivered in solid case	yes
case dimensions	292 x 341 x 100 mm - 11.5 x 13.5 x 4 inch
total weight of case with tool	1.3 kg - 2.86 lbs

ODM - MAINTENANCE TOOLS





ODM

The ODM LIBERVIT tool bag has everything you need to help your qualified staff perform level maintenance: spare parts replacement, spreader's arms installation, hinges or joints greasing, screws tightening on all LIBERVIT BLACKline and Défense tools' ranges and hydraulic power units.

TECHNICAL CHARACTERISTICS

LIBERVIT maintenance tools in transport case PELICASE	ref. ODM
transport case PELICASE dimensions	559 x 351 x 229 mm - 22 x 14 x 9 inch
empty case weight	6.5 kg - 14 lbs
equiped case weight	12 kg - 26.5 lbs

included :

1	xl	1L oil can HAFA CIRCOL 22	13	xl	slip joint plier
2	xl	lubrication spray can	14	xl	combination spanner 24
3	xl	cloth	15	xl	combination spanner 22
4	xl	mano 0-400 Bar	16	xl	combination spanner 21
5	xl	starter switch	17	x2	combination spanners 19
6	xl	valve core extractor tool	18	xl	combination spanner 17
7	xl	air gun	19	xl	combination spanner 13
8	xl	torque wrench	20	xl	combination spanner 10
9	xl	hydraulic drain valve	21	xl	funnel
10	xl	large flat screwdriver	22	xl	circlip pliers 10 - 25
11	xl	small flat screwdriver	23	xl	circlip pliers 3 - 10
12	xl	Allen keys' set	24	xl	Pelicase transport case

LIBERVIT TOOLS' MAINTENANCE TRAINING





light hydraulic door-openers



anti-panic doors hydraulic door-opener



mid-range hydraulic door-openers



breaching hydraulic units



high performance hydraulic door-opener



cutters/ spreaders/ hydraulic jacks

LIBERVIT TOOLS' MAINTENANCE TRAINING



Success and failure in handling tactical but mainly breaching equipment is closely linked to the equipment workmanship but also to the users' experience and deftness.

To the specialized intervention groups working with our LIBERVIT hydraulic tools we are offering courses on commissioning, optimized set-up and maintenance for cold breaching but also for hot breaching with exothermic cutting.

The training is done by LIBERVIT qualified staff and does not offer tactical advice. The training can be done on our premises or on site. Our premises offer the comfort of a classroom as well as a training facility with tactical training doors.

We remain at your disposal to answer your training request and will try to adapt our calendar to yours.

LIBERVIT - Espace Polygone - 218 rue Ettore Bugatti - 66000 Perpignan - FRANCE

Phone : + 33 (0)4 68 50 05 25

Fax : + 33 (0)4 68 66 98 97

courrier@libervit.com

www.libervit.com

LIBERVIT AROUND THE WORLD



Join our Distributor Network : libervit-distributors.com



LIBERVIT

LIBERVIT
BLACKline

LIBERVIT
DÉFENSE



> QUOTATIONS : quotations@libervit.com



> ORDERS : orders@libervit.com



> AFTER SALES SERVICE : aftersales@libervit.com



We have tried to be as thorough as possible in the making of this document.
However, some information might be incomplete or incorrect. LIBERVIT SAS cannot in anyway be held responsible for any of the consequences these errors could have.
If in doubt about some of the information rightness please contact our communication service through e-mail: communication@libervit.com
This document cannot be reproduce in part or entirely, be edited or distributed to the public without an authorization from LIBERVIT.

With all our thanks to the units authorizing us to use their pictures in this catalogue.
The information in this catalogue is not contractually binding.
With the aim of improving its products, LIBERVIT reserves the right to modify their specifications without prior notice.

COPYRIGHT - All rights reserved. Non-contractual photos
Photo credit : Operation teams | Dom André | © Yvan Chocoloff | LIBERVIT
LIBERVIT communication | communication@libervit.com

LIBERVIT - Espace Polygone - 218 rue Ettore Bugatti - 66000 Perpignan - FRANCE
Phone : + 33 (0)4 68 50 05 25 - Fax : + 33 (0)4 68 66 98 97 - courrier@libervit.com - www.libervit.com





Propeller shaft bending
Causing unbalance
Core element damage
Causing failure



Instagram



GALLERY



WEBSITE

LIBERVIT



libervit.com



gallery-libervit.com

WORLD LEADER IN TACTICAL ENTRY TOOLS